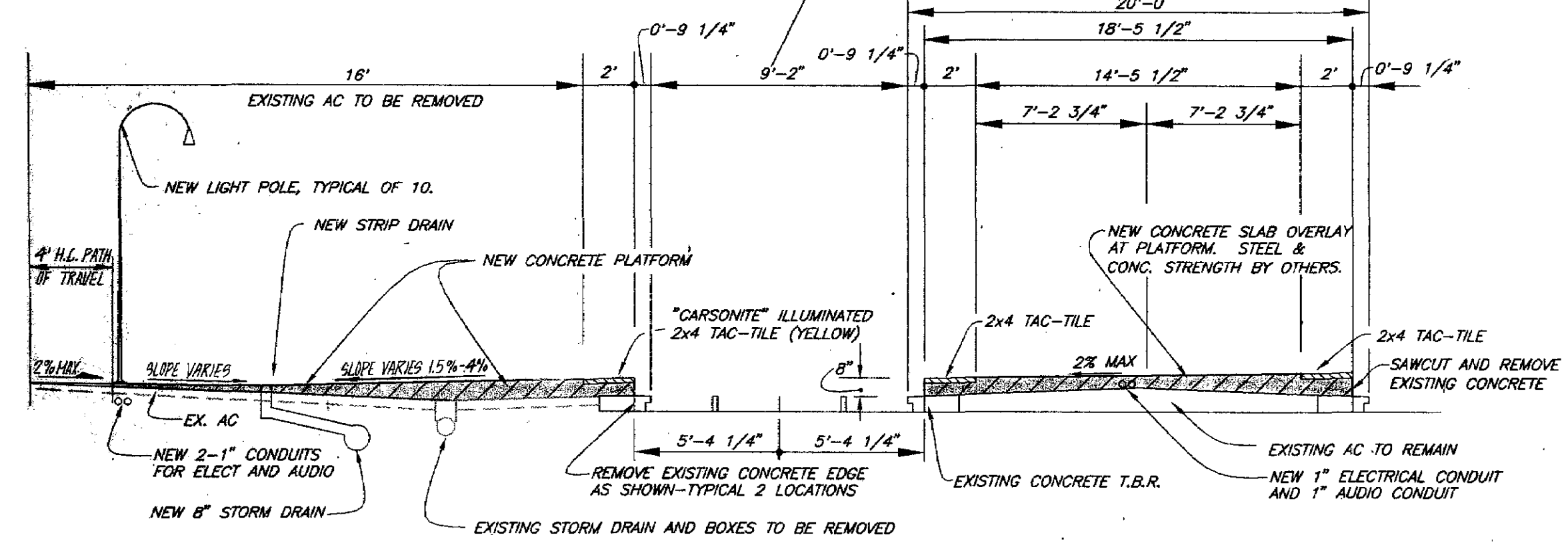
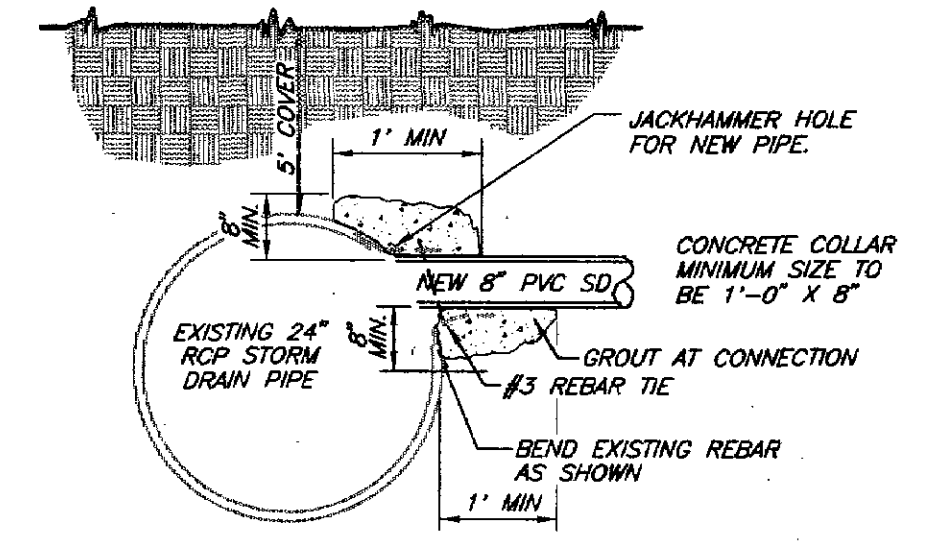


MATCHLINE SHEET 2



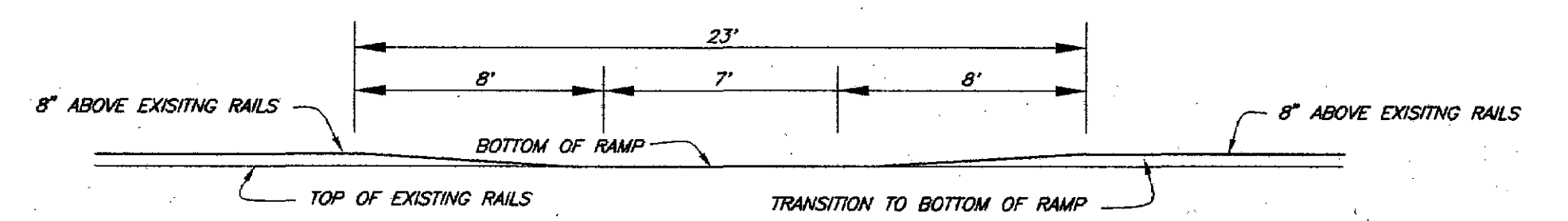
TYPICAL PLATFORM SECTION B-B

NO SCALE



STORM DRAIN CONNECTION DETAIL

NO SCALE



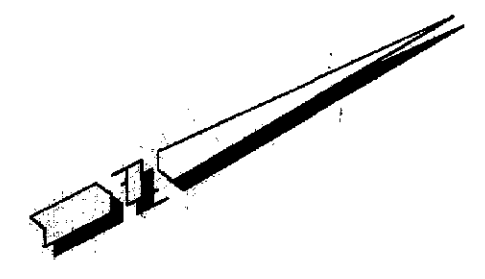
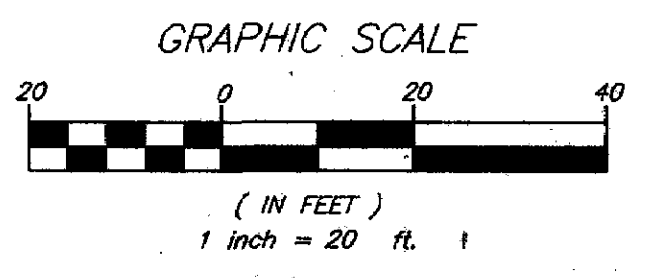
PEDESTRIAN RAMP AT TRACK CROSSING A-A

NO SCALE

SYMBOL LEGEND

- | | | | |
|-----|-----------------------------|-----|------------------|
| ○JP | JOINT POLE | ☆ | LIGHT STANDARD |
| ⊕ | GUY ANCHOR | ⊕ | FIRE HYDRANT |
| — | SIGN | ○IV | IRRIGATION VALVE |
| ⊠ | WATER METER | □ | UTILITY BOX |
| ⊠ | DROP INLET | EP | EDGE OF PAVEMENT |
| ⊠ | WATER VALVE | CLF | CHAIN-LINK FENCE |
| ⊙ | SEWER MANHOLE | TC | TOP OF CONCRETE |
| ○CD | CLEANOUT | FL | FLOW LINE |
| ○CP | GUARD POST | BW | BACK OF WALK |
| — | EDGE OF PAVEMENT | FS | FINISH SURFACE |
| — | WALL | PA | PLANTER AREA |
| ⊙ | TREE OR SHRUB | | |
| ○ | TRUNK DIA/DROP-LINE RADIUS | | |
| • | NEW 175W METAL HALIDE LIGHT | | |

SURVEYOR'S NOTES
 BENCH MARK:
 CITY OF SAN LUIS OBISPO BM #5-125
 1.8' T 51' 9/4" END OF CURB, EAST SIDE OF 1880 SANTA BARBARA
 AT INTERSECTION OF SANTA BARBARA, MORRO & UPHAM
 CITY OF SAN LUIS OBISPO BM #5-125 ELEV = 234.00
 BOUNDARY:
 PROPERTY AND RIGHT-OF-WAY LINES SHOWN WERE COMPILED FROM
 RECORD MAPS AND NO BOUNDARY SURVEYING WAS PERFORMED.
 LOCATION OF PROPERTY LINES AND MONUMENTS WILL REQUIRE A
 BOUNDARY SURVEY AND THE FILING OF A RECORD OF SURVEY.



NOTE: SEE APPROVED BUILDING PLANS
 ON MICROFORM PER
 BUILDING PERMIT #10472.

ENGINEERING DEVELOPMENT ASSOCIATES
 1320 IMPOMO STREET
 SAN LUIS OBISPO, CALIFORNIA 95401
 PH (805) 548-3000 FAX (805) 548-8704

JEFFREY J. EMMICK RCE 40857 DATE 1/1/05

DATE	DESCRIPTION	APPROVED

CITY OF SAN LUIS OBISPO

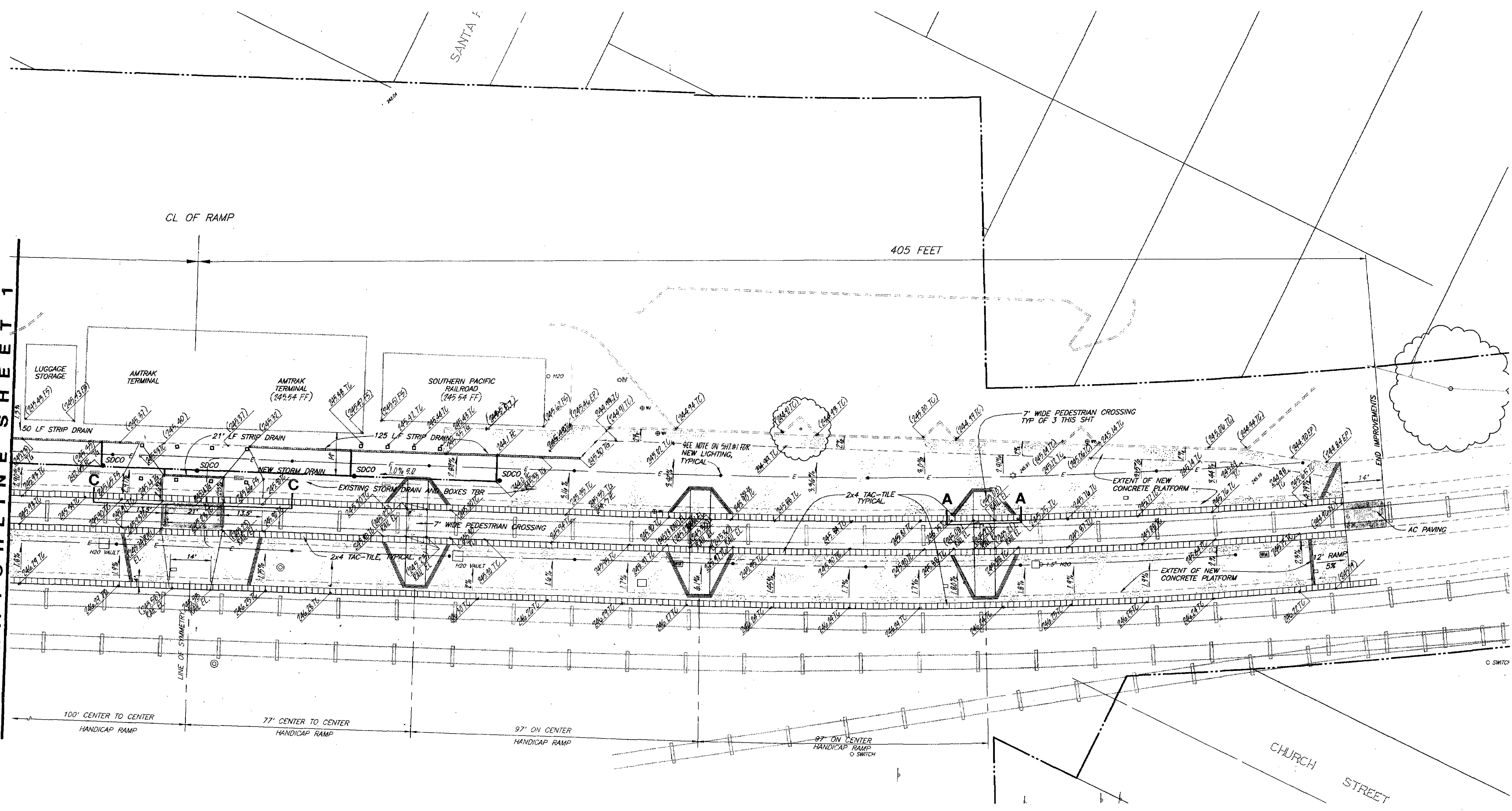
SCALE: 1" = 20'

APPROVED: _____ DATE _____
 DIRECTOR OF PUBLIC WORKS

**SAN LUIS OBISPO AMTRAK STATION
 PLATFORM IMPROVEMENTS**

DESIGNER: HE
 SURVEY: _____
 DATE: _____
 SHEET: 1 OF 2 SHEETS
 REFERENCES

MATCHLINE SHEET 1

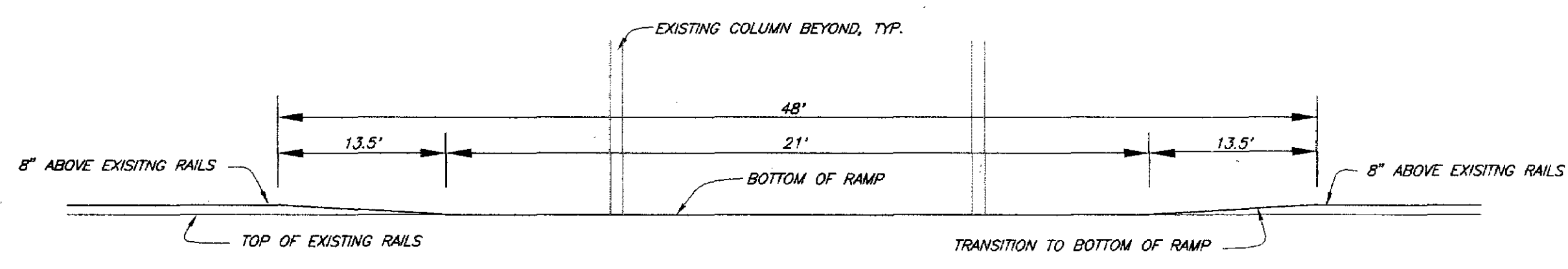


SYMBOL LEGEND

○JP	JOINT POLE	⊗	LIGHT STANDARD
⊕	GUY ANCHOR	⊕	FIRE HYDRANT
—	SIGN	○N	IRRIGATION VALVE
⊠	WATER METER	□	UTILITY BOX
⊘	DROP INLET	EP	EDGE OF PAVEMENT
⊙	WATER VALVE	CLF	CHAIN-LINK FENCE
⊙	SEWER MANHOLE	TC	TOP OF CONCRETE
○DD	CLEANOUT	FL	FLOW LINE
○GP	GUARD POST	BW	BACK OF WALK
—	EDGE OF PAVEMENT	FS	FINISH SURFACE
—	WALL	PA	PLANTER AREA

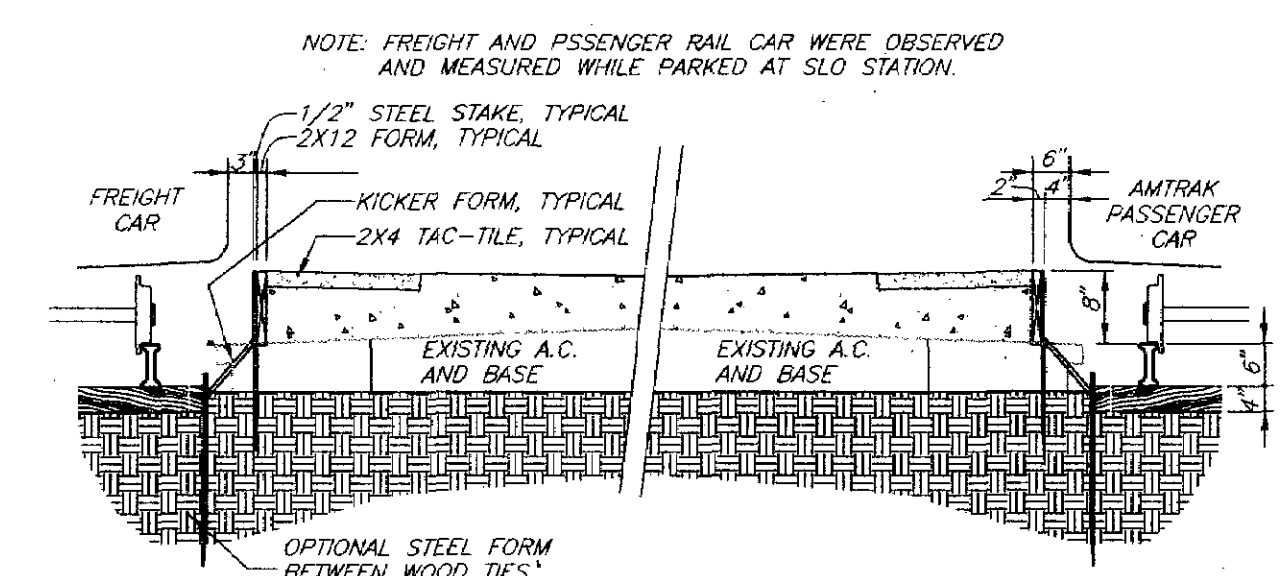
○ TREE OR SHRUB
 ○ TRUNK DIA/DROP-LINE RADIUS
 ● NEW 175W METAL HALIDE LIGHT

SURVEYOR'S NOTES
 BENCH MARK:
 CITY OF SAN LUIS OBISPO BM #5-125
 L & T 5' ± END OF CURB, EAST SIDE OF 1880 SANTA BARBARA
 AT INTERSECTION OF SANTA BARBARA, MORRO & UPHAM
 CITY OF SAN LUIS OBISPO BM #5-125 ELEV = 234.00
 BOUNDARY:
 PROPERTY AND RIGHT-OF-WAY LINES SHOWN WERE COMPILED FROM
 RECORD MAPS AND NO BOUNDARY SURVEYING WAS PERFORMED.
 LOCATION OF PROPERTY LINES AND MONUMENTS WILL REQUIRE A
 BOUNDARY SURVEY AND THE FILING OF A RECORD OF SURVEY.



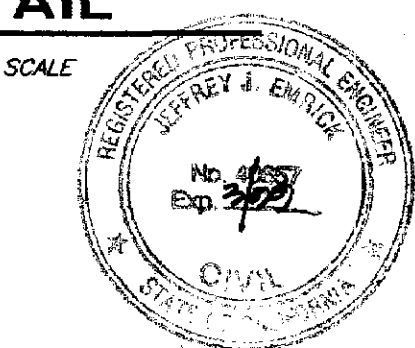
VEHICLE RAMP AT TRACK CROSSING C-C

NO SCALE

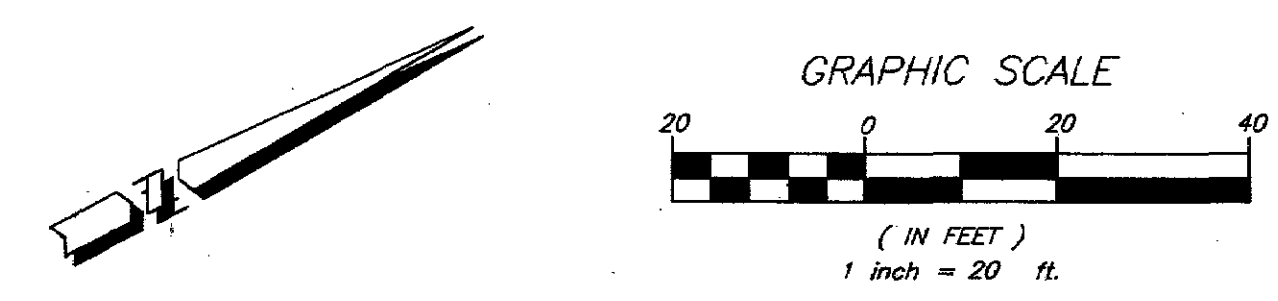


PLATFORM FORMWORK INSTALLATION DETAIL

NO SCALE



LIGHT STANDARD DETAIL



	ENGINEERING DEVELOPMENT ASSOCIATES 1320 NIPOMO STREET SAN LUIS OBISPO, CALIFORNIA 93401 PH. (805) 546-8858 FAX (805) 548-8704	CITY OF SAN LUIS OBISPO SCALE: 1" = 20' APPROVED: _____ DIRECTOR OF PUBLIC WORKS	DESIGNER: <i>[Signature]</i> SURVEY: _____ DATE: _____ SHEET: 2 OF 2 SHEETS REFERENCES: _____
	JEFFREY J. EMRICK RCE 40657 REVISIONS: _____ DATE: _____	DATE: _____ APPROVED: _____	SAN LUIS OBISPO AMTRAK STATION PLATFORM IMPROVEMENTS