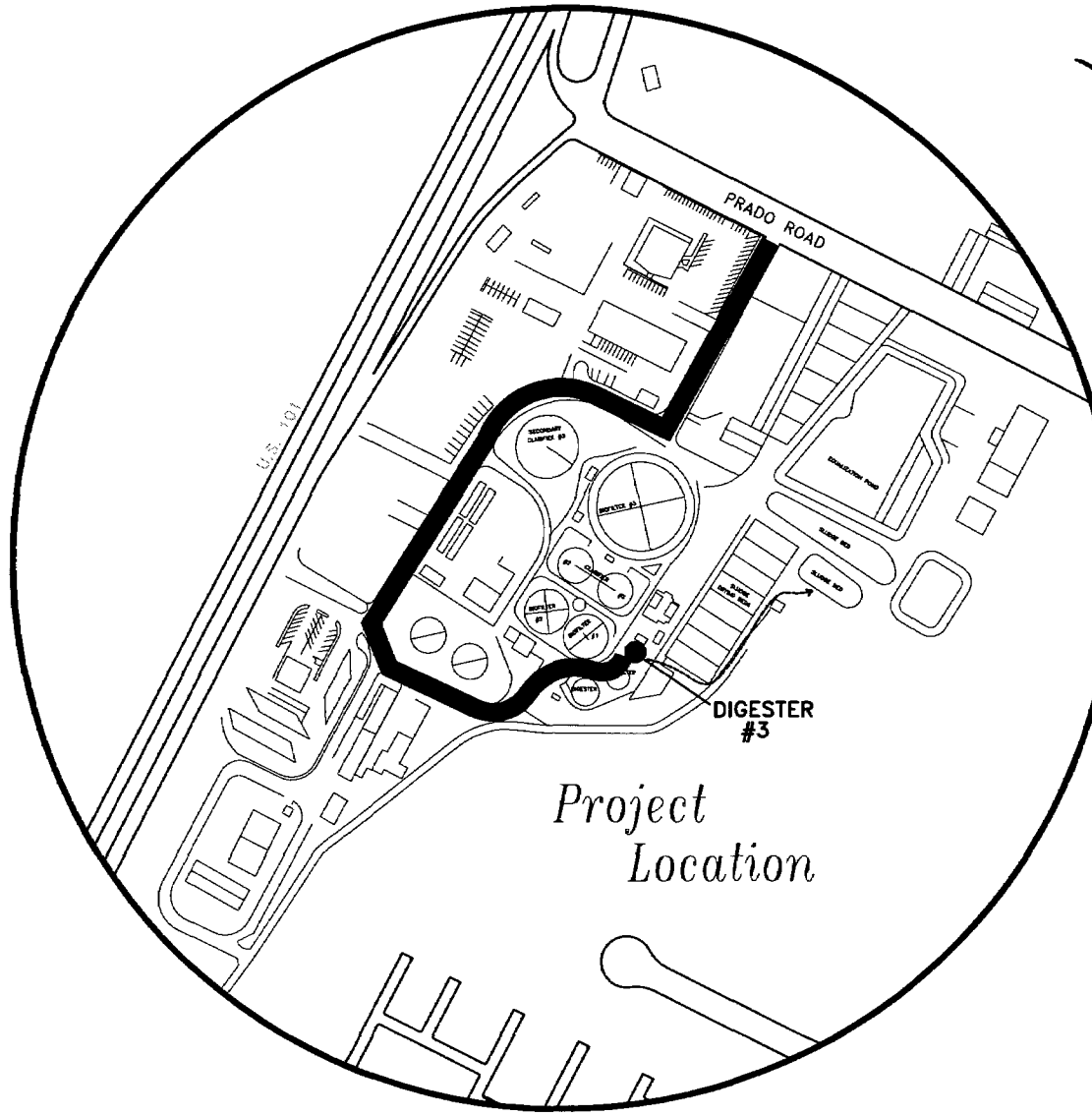
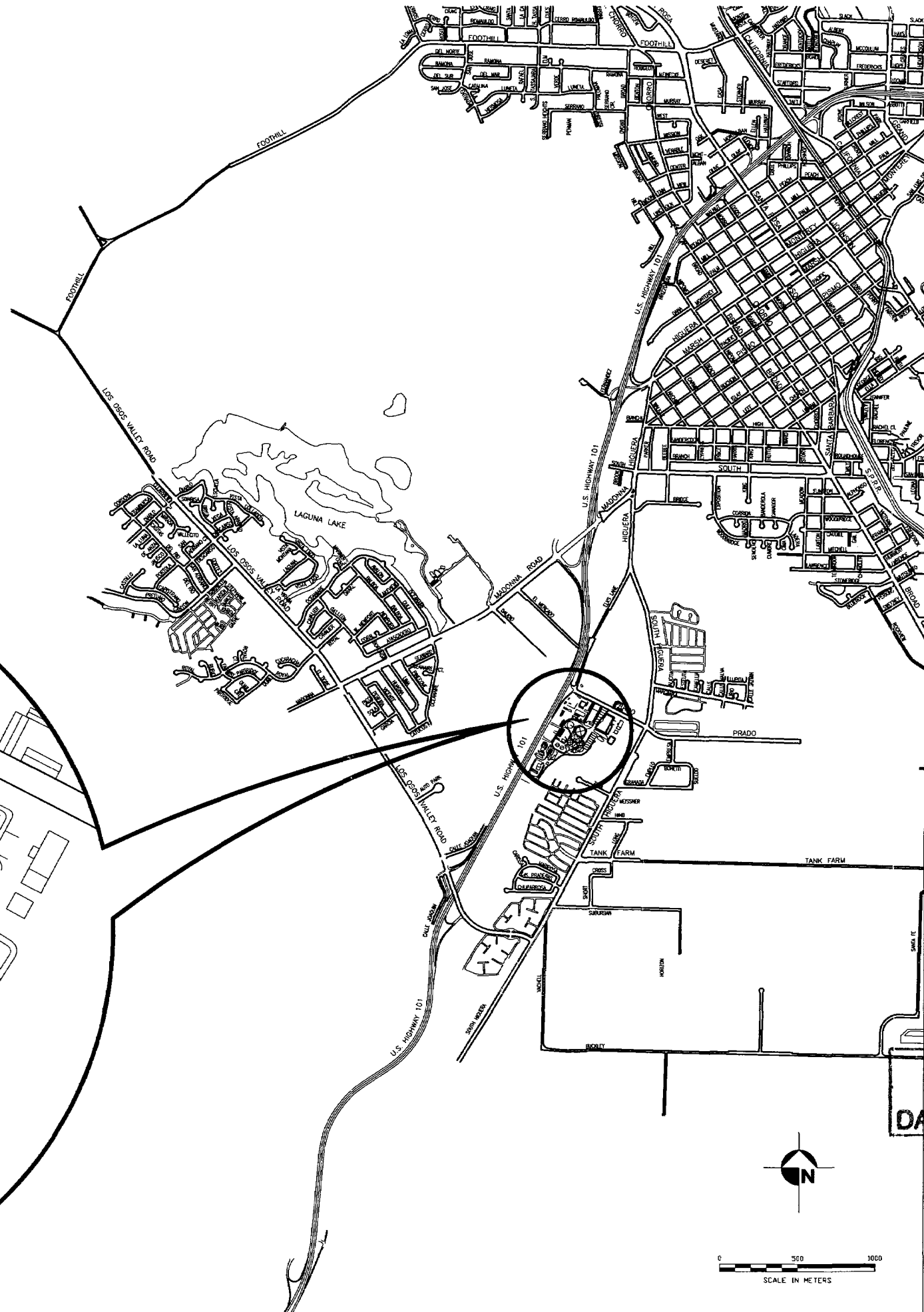


general notes

1. IT SHALL BE THE RESPONSIBILITY OF THE CONTRACTOR OR PERMITEE TO CONTACT "UNDERGROUND SERVICE ALERT U.S.A." TOLL FREE AT 1-800-227-2600 FORTY-EIGHT (48) HOURS PRIOR TO START OF CONSTRUCTION, FOR LOCATION OF POWER, TELEPHONE, OIL AND NATURAL GAS UNDERGROUND FACILITIES. CONTRACTOR OR PERMITEE SHALL ALSO CONTACT THE APPROPRIATE AGENCY FOR THE LOCATION OF CABLE T.V., WATER, SEWER, DRAINAGE OR UNDERGROUND FACILITIES.

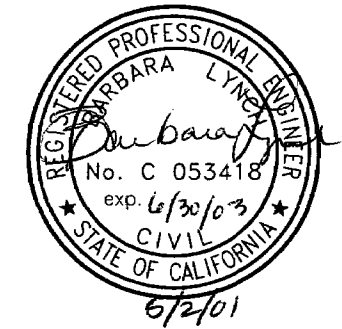
2. THE CONTRACTOR SHALL POSSESS A CLASS "A" OR "C33" LICENSE AT THE TIME THE CONTRACT IS AWARDED.



Project Location

index to plans

sheet no.	description
1	Cover Sheet General Notes
2	Plan & Elevation
3	Details



**city of
san luis obispo**
san luis obispo county, california

**Water Reclamation
Facility**

**Digester #3
Repair**

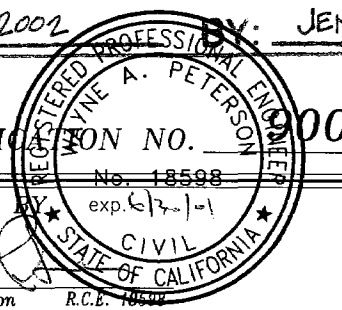
RECORD DRAWING

DATE: NOV 2002 BY: JENN.

SPECIFICATION NO. 00046B

APPROVED BY

Wayne A. Peterson
City Engineer

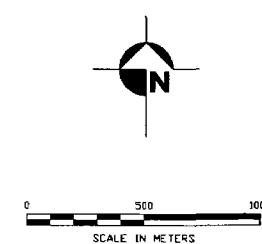


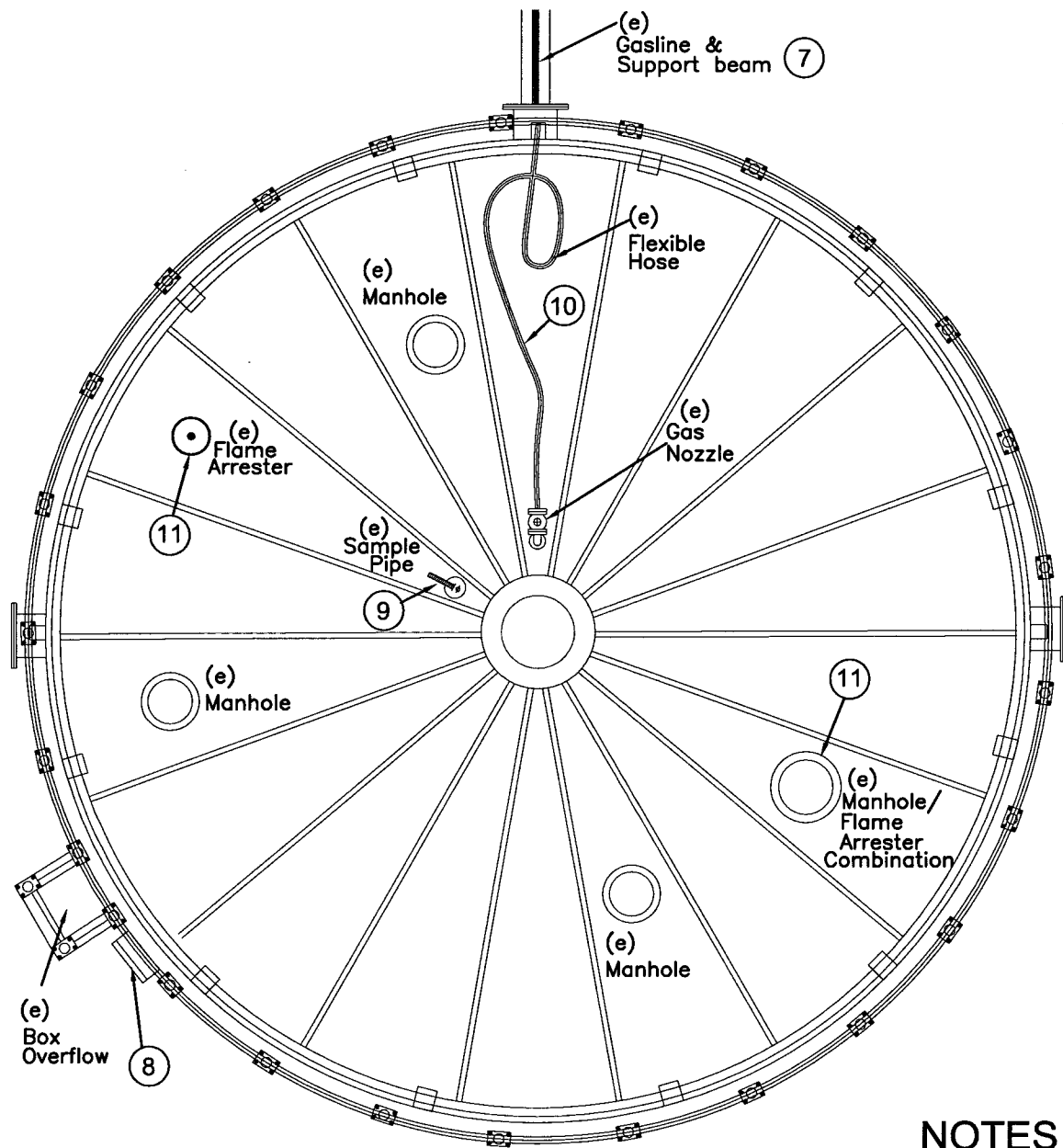
DATE 4/2001

FILE NO./LOCATION

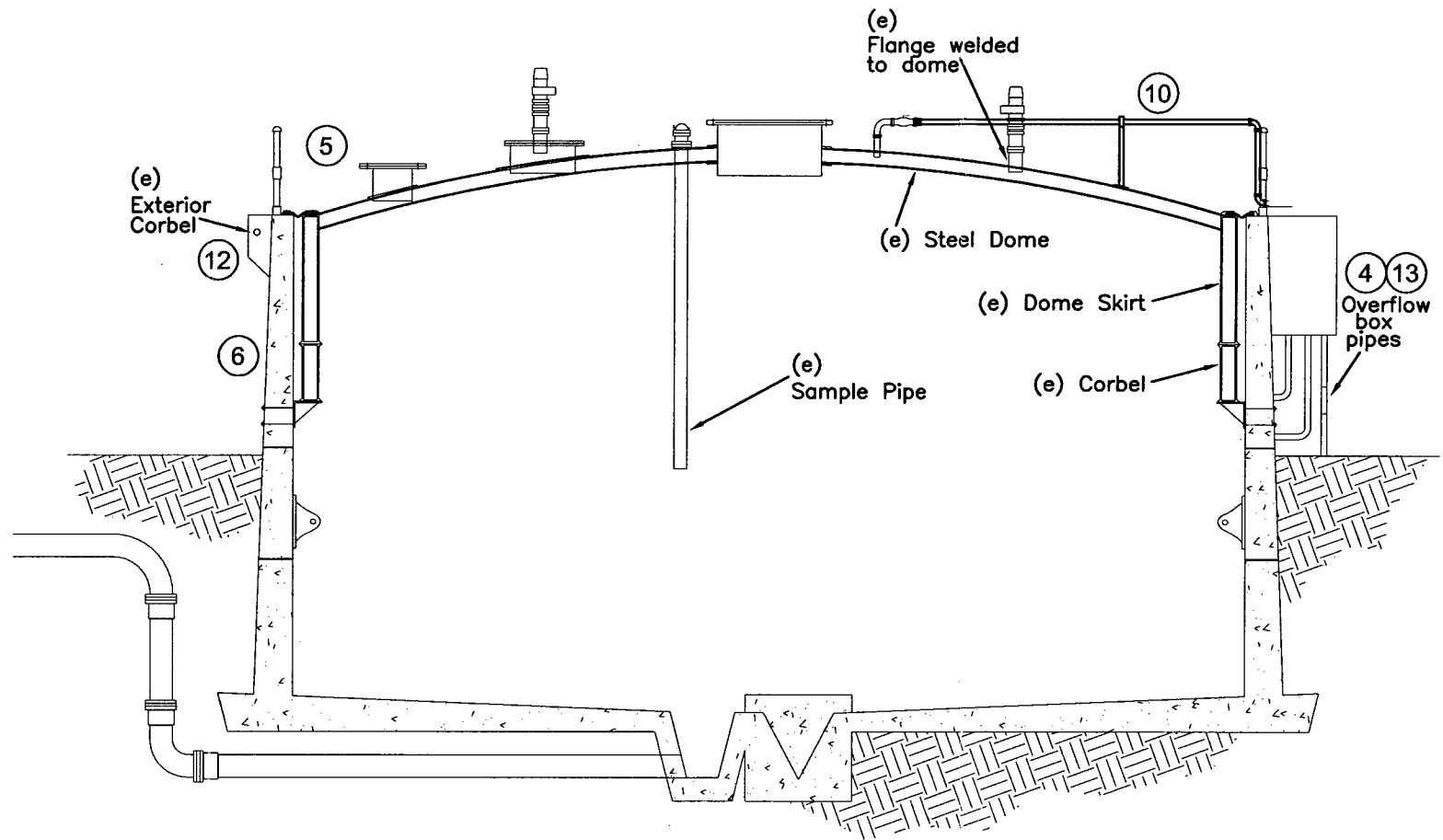
SHEET

1 of 3





PLAN VIEW

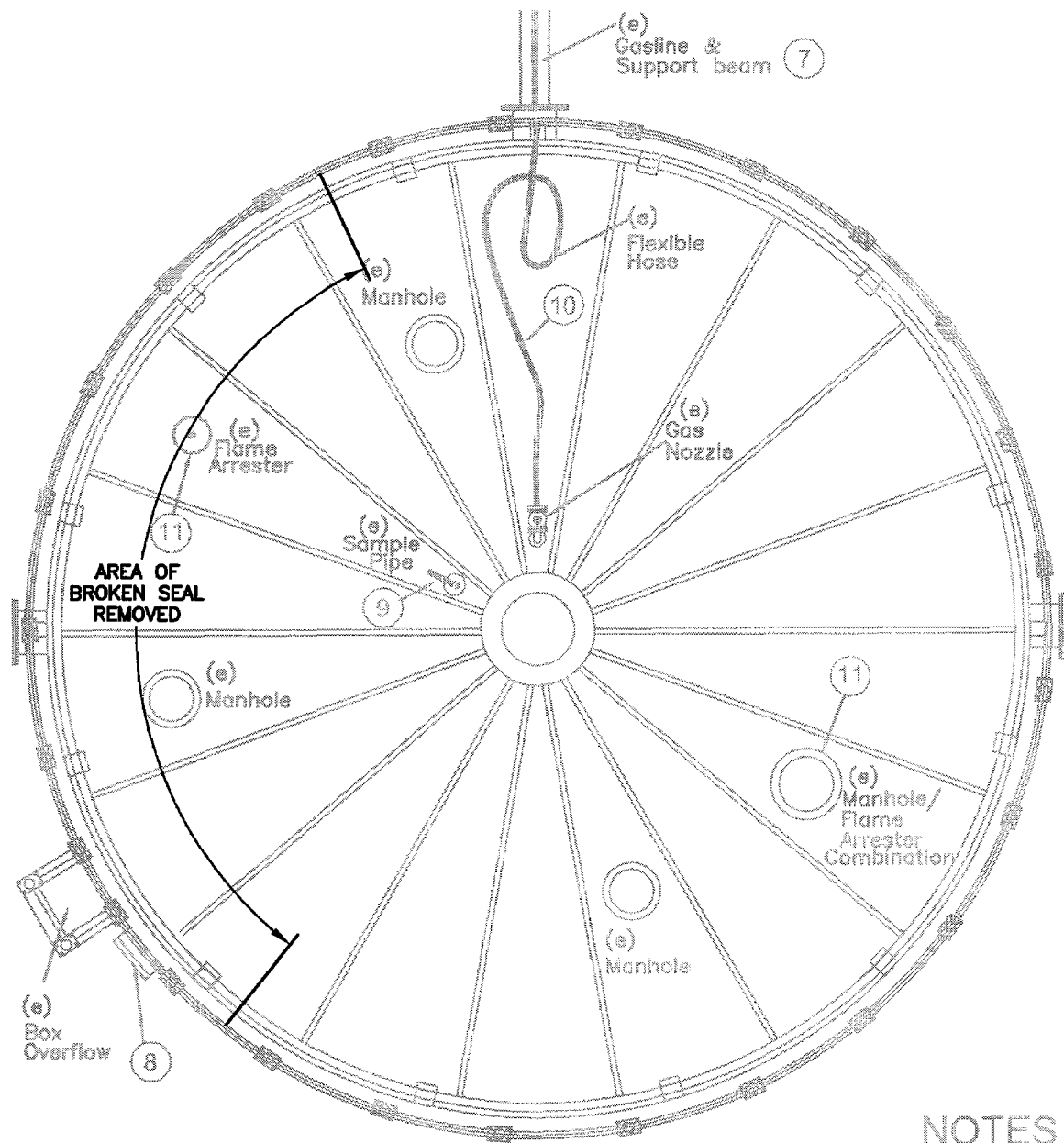


SECTION

NOTES

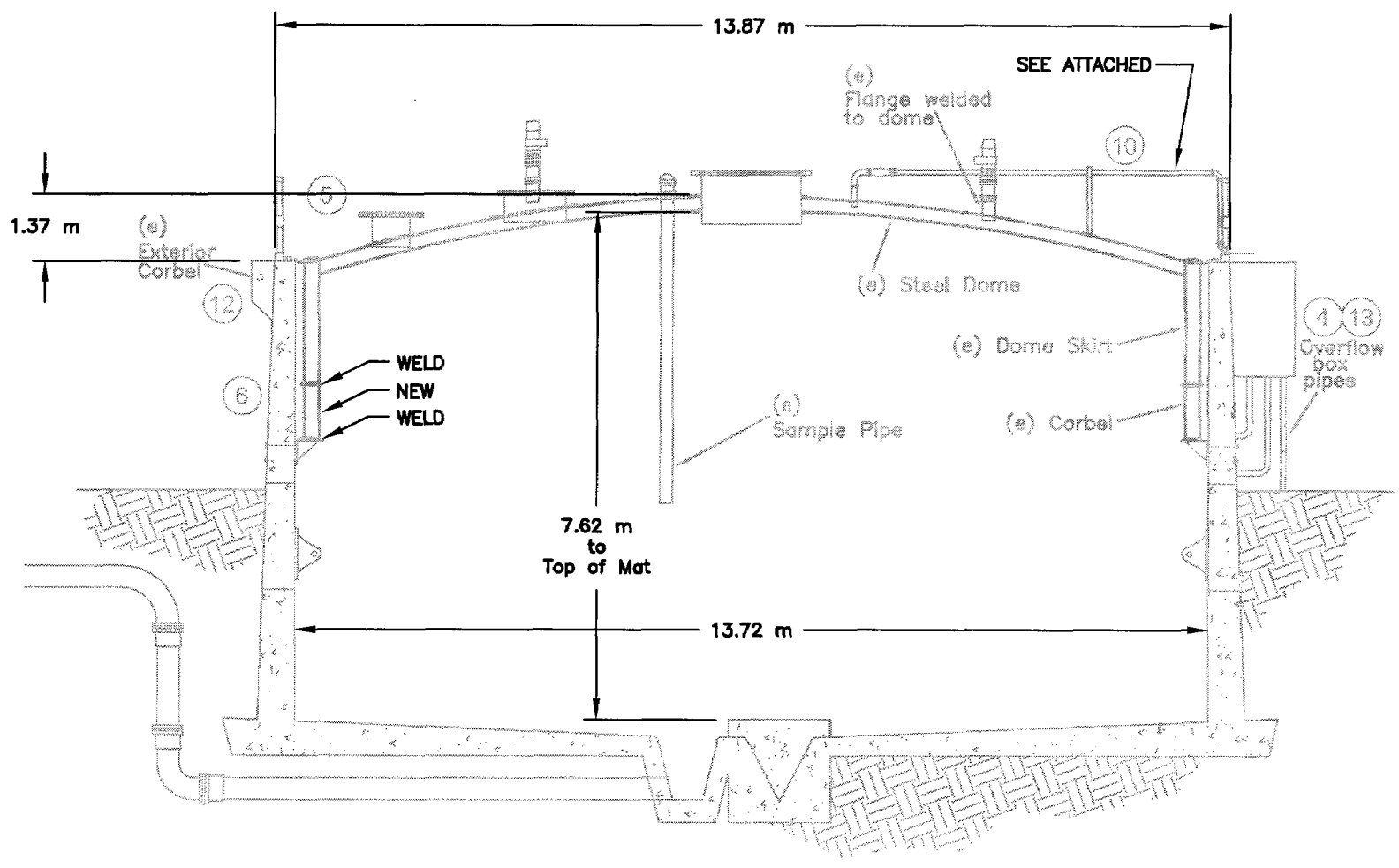
- ① Blast and coat all interior surfaces of the Digester, dome, dome skirt, corbels, manholes, pipes and other fixtures.
- ② Replace seals on all openings and reinstall all lids and equipment after interior inspection.
- ③ Remove existing dome seal. Blast & coat exterior of digester dome.
- ④ Blast and coat exterior of overflow box pipes.
- ⑤ Install new dome seal. (See Detail)
- ⑥ Blast and seal concrete exterior of digester. (partial ADD-ALT)
- ⑦ Blast and coat support beam to digester #2. Replace existing gas line (ADD-ALT)
- ⑧ Blast and coat ladder. (ADD-ALT)
- ⑨ Replace catch on sample pipe.
- ⑩ Replace flexible gas line with hard-piping. Install support. (ADD-ALT)
- ⑪ Replace flame arrestors and valves.
- ⑫ Remove (e) exterior corbels. (See Detail)
- ⑬ Remove temporary pipe at overflow box and install blind flange. (See Detail)





PLAN VIEW

VARIOUS OTHER SMALL SEAL RUPTURES

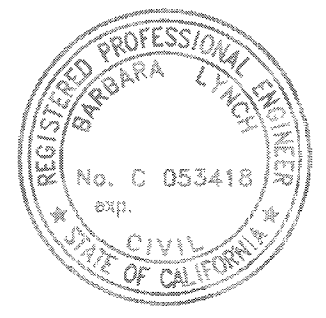


SECTION

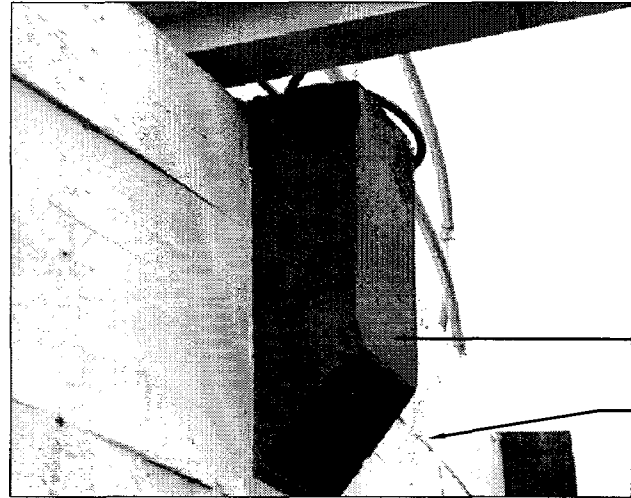
SEE COATING INSPECTION REPORTS FOR ADDITIONAL INFORMATION

NOTES

- ① Blast and coat all interior surfaces of the Digester, dome, dome skirt, corbels, manholes, pipes and other fixtures.
- ② Replace seals on all openings and reinstall all lids and equipment after interior inspection.
- ③ Remove existing dome seal. Blast & coat exterior of digester dome.
- ④ Blast and coat exterior of overflow box pipes.
- ⑤ Install new dome seal. (See Detail)
- ⑥ Blast and seal concrete exterior of digester. (partial ADD-ALT)
- ⑦ Blast and coat support beam to digester #2. Replace existing gas line (ADD-ALT)
- ⑧ Blast and coat ladder. (ADD-ALT)
- ⑨ Replace catch on sample pipe.
- ⑩ Replace flexible gas line with hard-piping. Install support. (ADD-ALT)
- ⑪ Replace flame arrestors and valves.
- ⑫ Remove (e) exterior corbels. (See Detail)
- ⑬ Remove temporary pipe at overflow box and install blind flange. (See Detail)



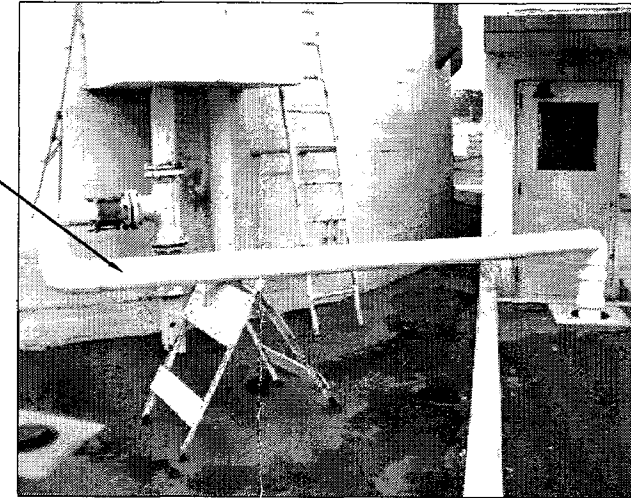
RECORD DRAWING
DATE: NOV 2002 BY: JENN.



EXTERIOR CORBEL REMOVAL
(Approx. 250 X 310 X 760mm)

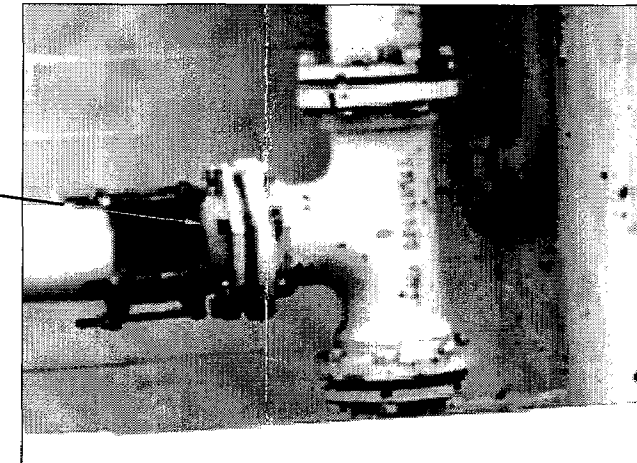
Remove existing corbel by approved method. Any indentations shall be thoroughly cleaned and patched. Seal w/digester wall.

(e) Concrete digester wall



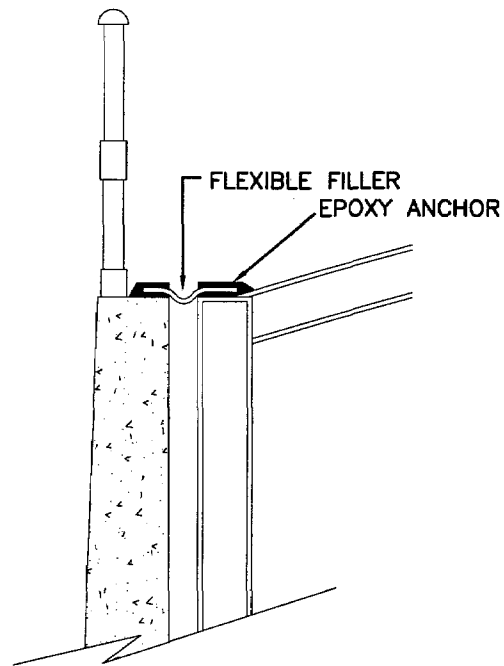
OVERFLOW BOX - TEMPORARY PIPE

Remove (e) temporary PVC overflow pipe. Restore lid over opening.

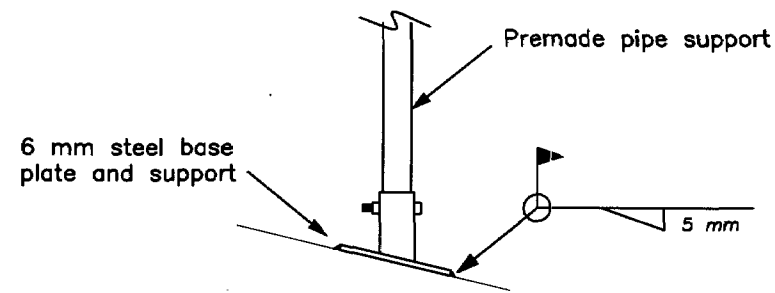


BLOW-UP DETAIL

Install blind flange and bolts at tee flange on overflow pipes.



DOME SEAL



PIPE SUPPORT BASE PLATE

REVISIONS:	Record Drawing	Drawn By & Date
		etric Scale:
		H: V:

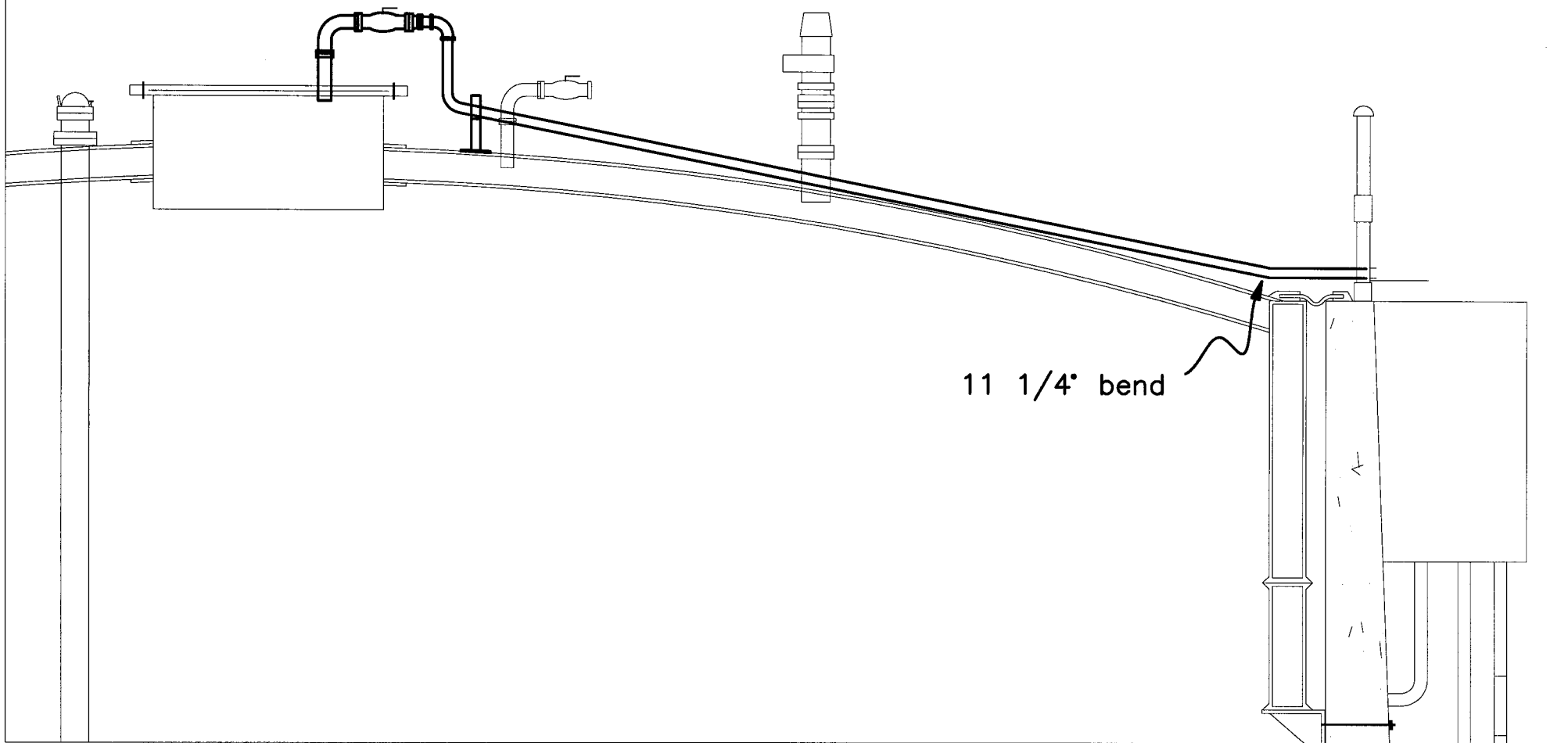
PROJECT TITLE:
DIGESTER 3 REPAIR

SHEET TITLE:
PLAN & ELEVATION

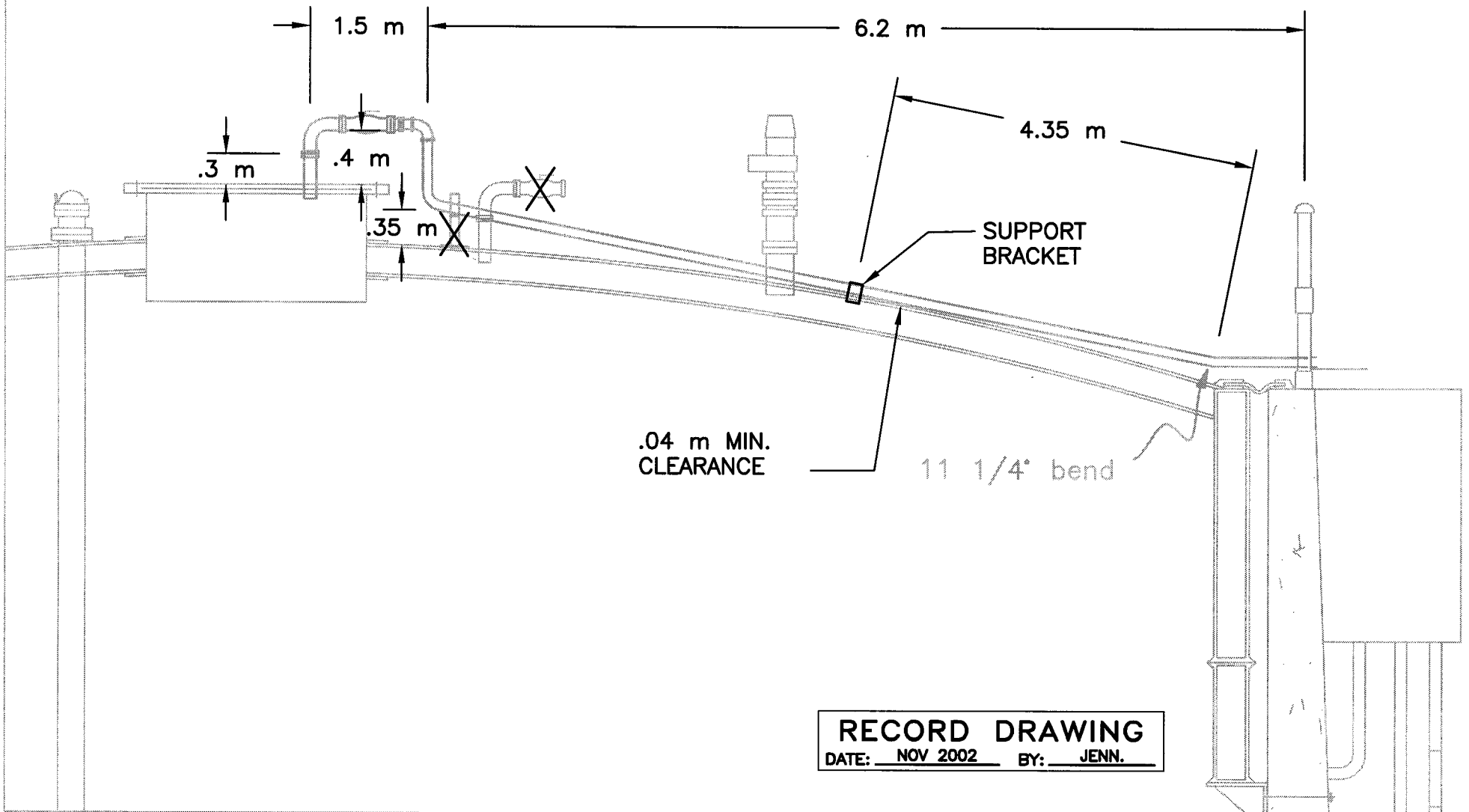


DESIGNED BY:	bl
DRAWN BY:	CSC
CHECKED BY:	dq, dm, eh
APPROVED BY:	wop
DATE:	4/2001
CITY SPECIFICATION NO.	90046B
SHEET NO.	

Digester #3 Revised Piping



Digester #3 Revised Piping



RECORD DRAWING
DATE: NOV 2002 BY: JENN.