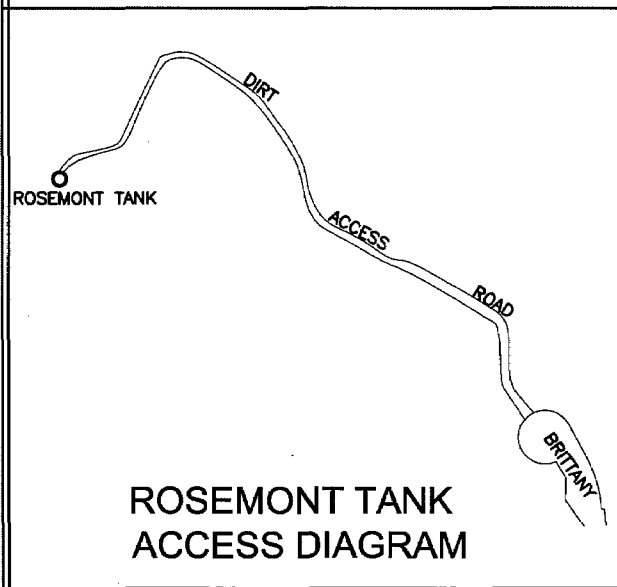
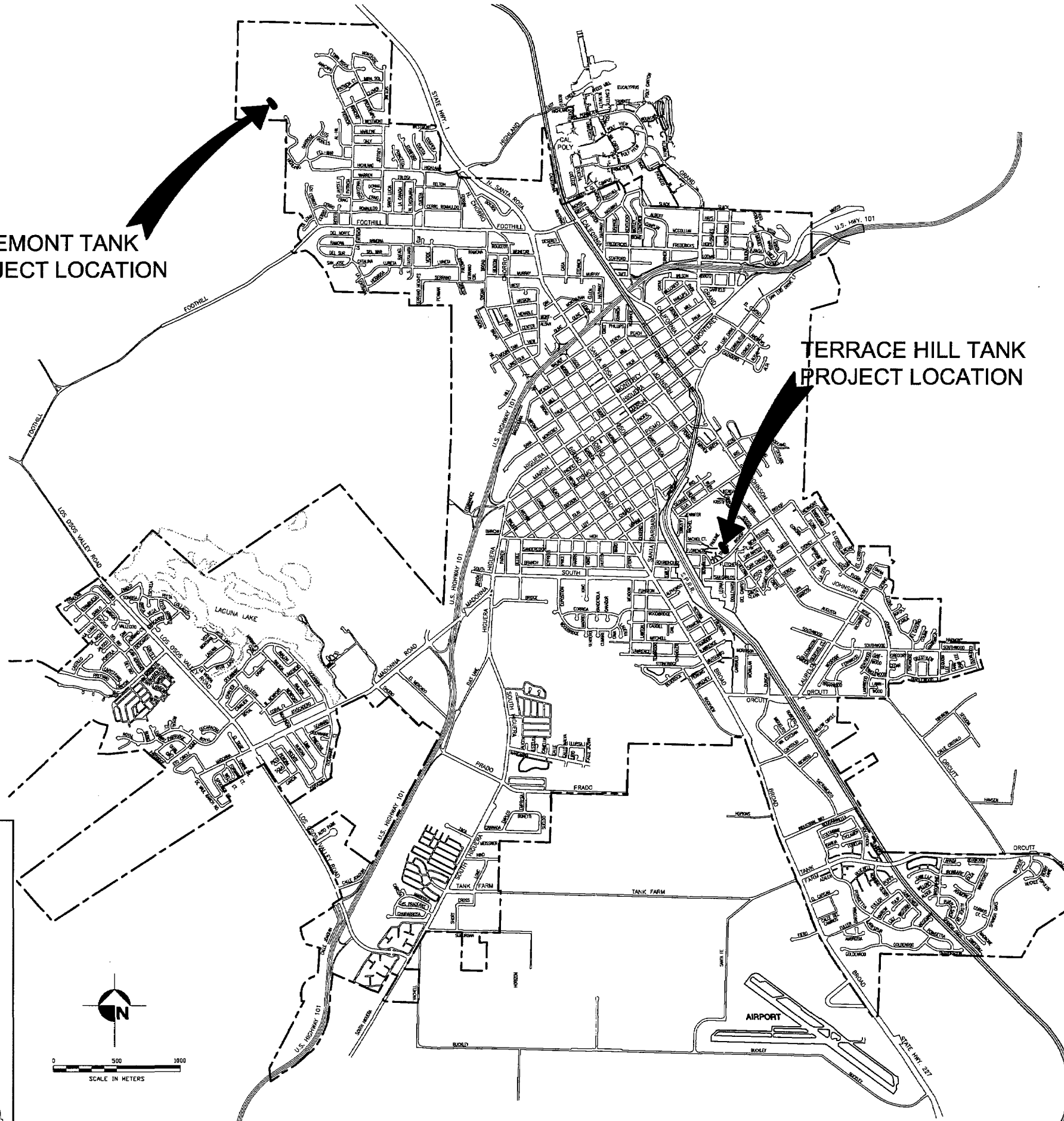


general notes

1. IT SHALL BE THE RESPONSIBILITY OF THE CONTRACTOR OR PERMITTEE TO CONTACT "UNDERGROUND SERVICE ALERT U.S.A." TOLL FREE AT 1-800-227-2600 FORTY-EIGHT (48) HOURS PRIOR TO START OF CONSTRUCTION, FOR LOCATION OF POWER, TELEPHONE, OIL AND NATURAL GAS UNDERGROUND FACILITIES. CONTRACTOR OR PERMITTEE SHALL ALSO CONTACT THE APPROPRIATE AGENCY FOR THE LOCATION OF CABLE T.V., WATER, SEWER, DRAINAGE OR UNDERGROUND FACILITIES.

ROSEMONT TANK
PROJECT LOCATION

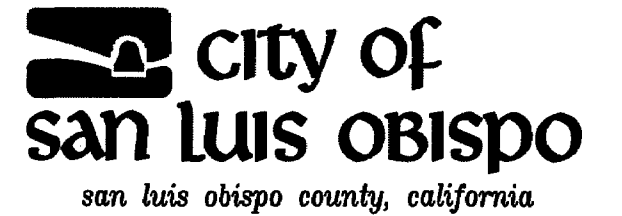
TERRACE HILL TANK
PROJECT LOCATION



ROSEMONT TANK
ACCESS DIAGRAM

index to plans

sheet no.	description
1	COVER SHEET
2	ROSEMONT
3	TERRACE HILL



FENCING IMPROVEMENT PROJECT

FENCING AROUND PERIMETER OF
ROSEMONT AND TERRACE HILL WATER
TANKS

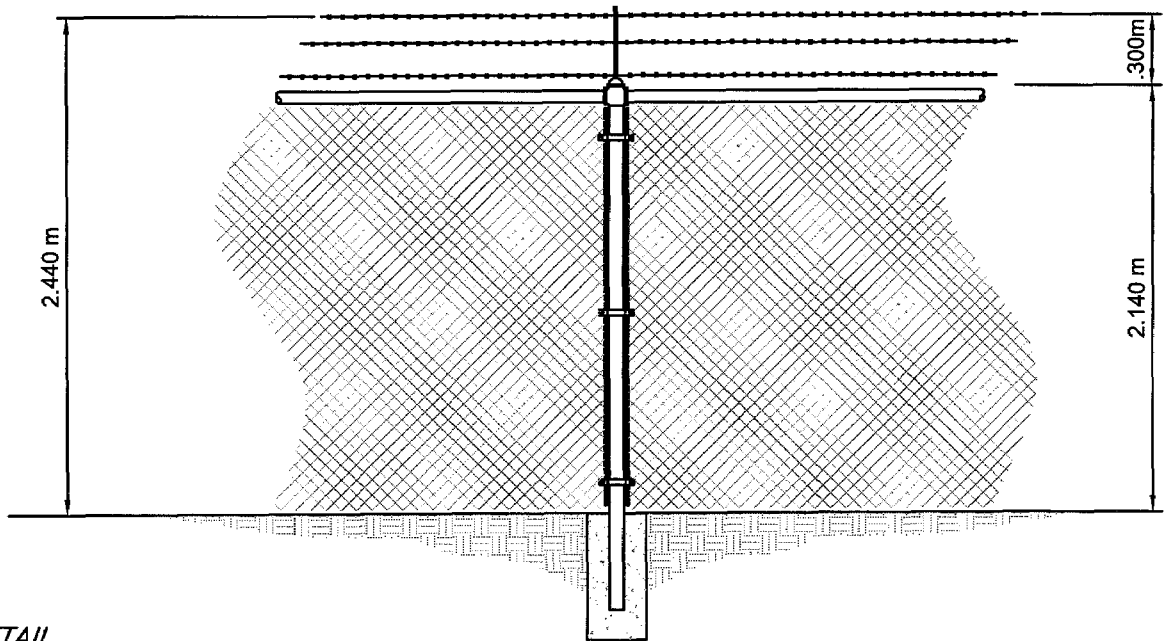


SPECIFICATION NO. 90177

APPROVED BY

Jay D. Walter
Jay D. Walter
City Engineer
R.C.E. 41227

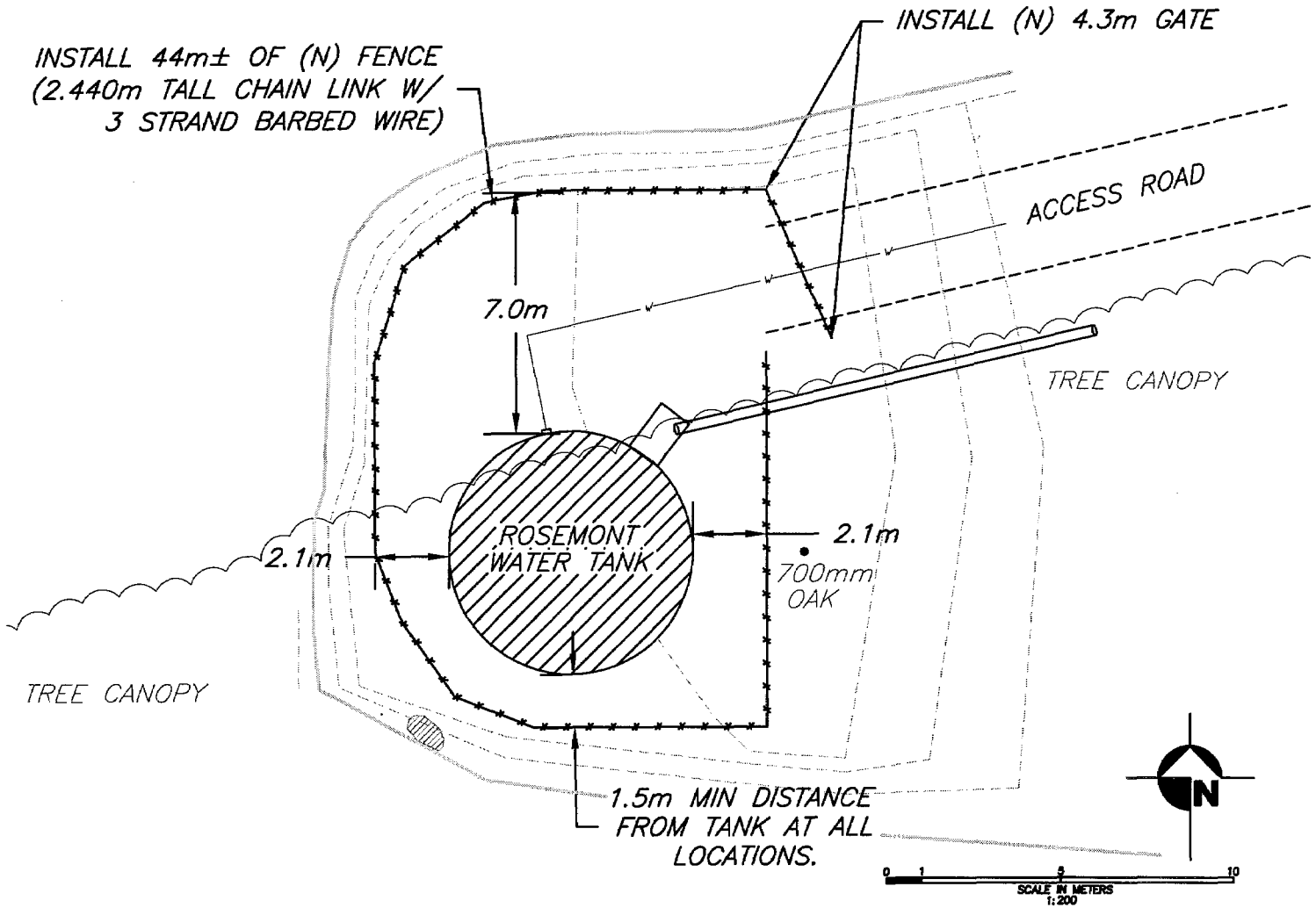
DATE
MARCH 2002
FILE NO./LOCATION
90177
SHEET
1 of 3



FENCE DETAIL

FENCE TO BE VINYL COATED (BLACK) CHAIN LINK, WITHOUT FABRIC MESH.
 FOR ADDITIONAL DETAILS SEE AMERICAN PUBLIC WORKS ASSOCIATION – SOUTHERN CALIFORNIA CHAPTER CHAIN LINK FENCE AND GATES 600-1 AND STATE STANDARD SPECS.

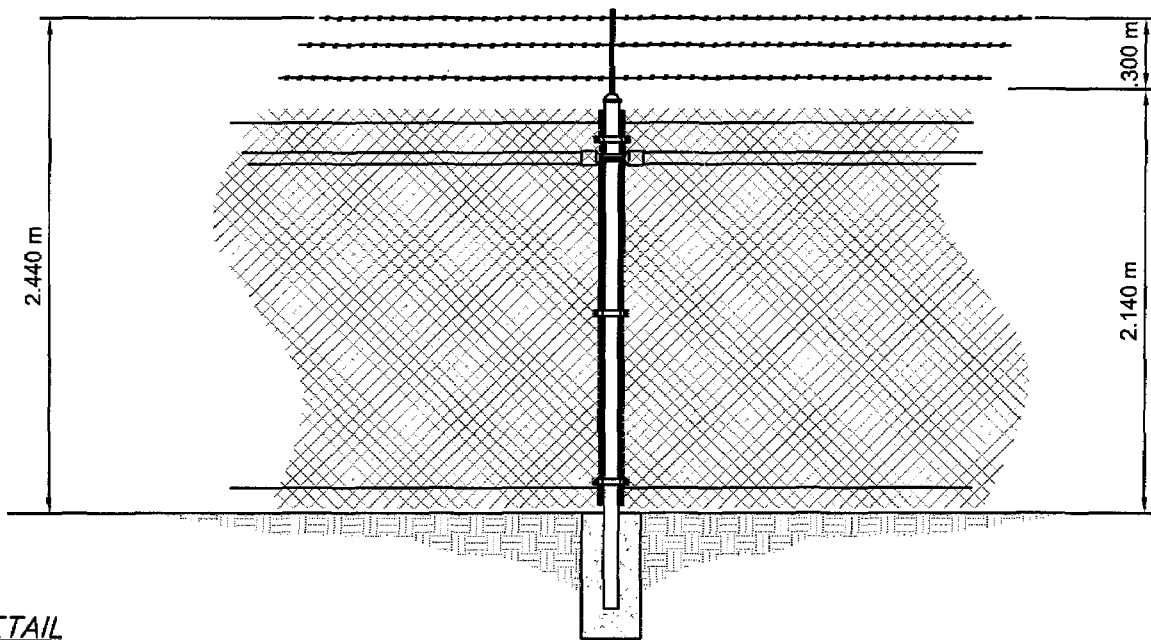
INSTALL 44m± OF (N) FENCE
 (2.440m TALL CHAIN LINK W/
 3 STRAND BARBED WIRE)



**City of
 San Luis Obispo**

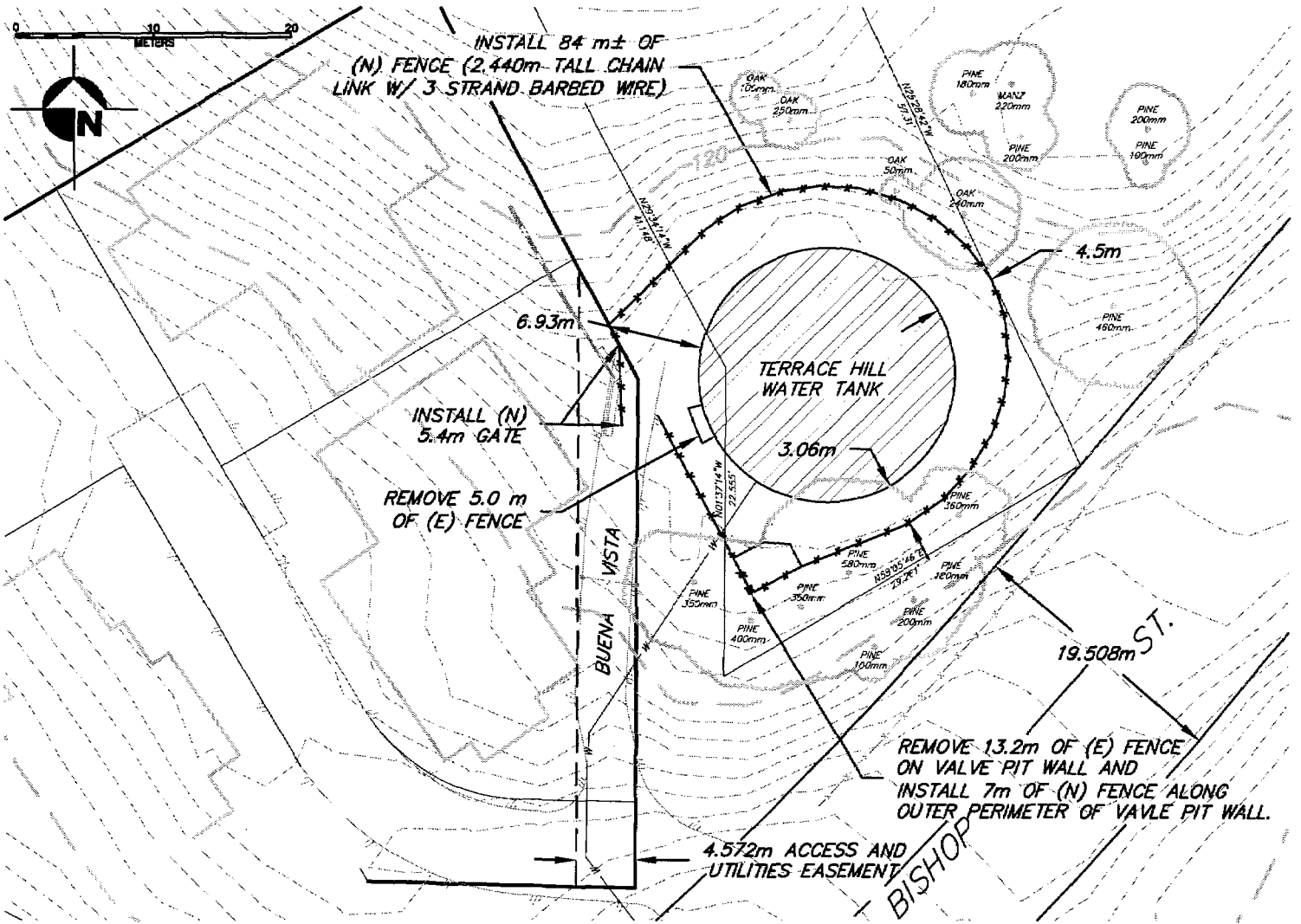
Public Works Department
 955 Morro Street, San Luis Obispo, CA 93401

**ROSEMONT WATER TANK
 TANK FENCING PROJECT**



FENCE DETAIL

FENCE TO BE VINYL COATED (BLACK) CHAIN LINK, WITHOUT FABRIC MESH. FOR ADDITIONAL DETAILS SEE AMERICAN PUBLIC WORKS ASSOCIATION – SOUTHERN CALIFORNIA CHAPTER CHAIN LINK FENCE AND GATES 600-1 AND STATE STANDARD SPECS.



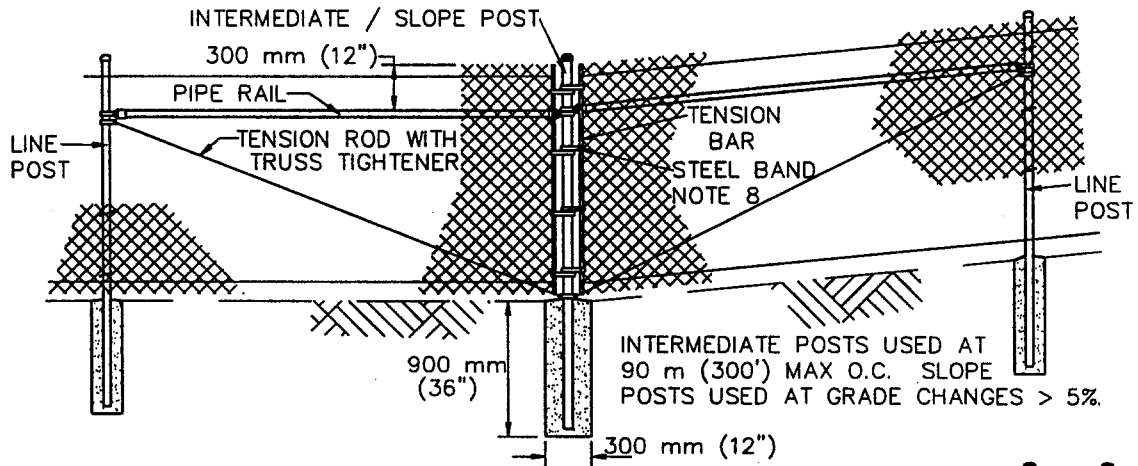
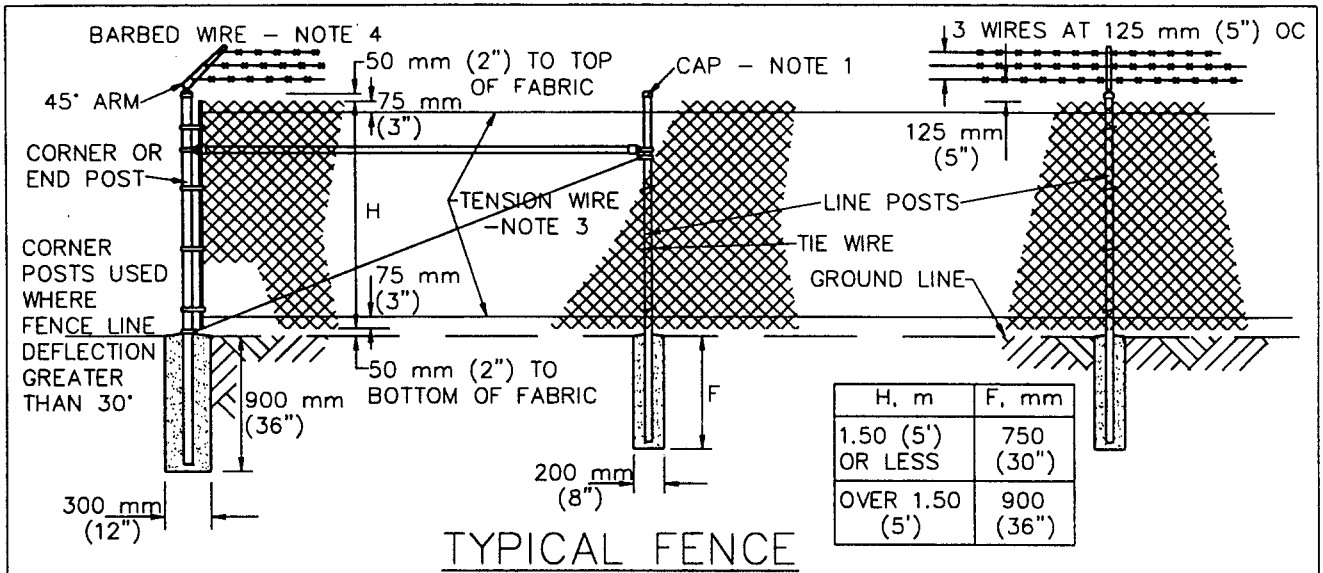
**City of
san luis obispo**

Public Works Department

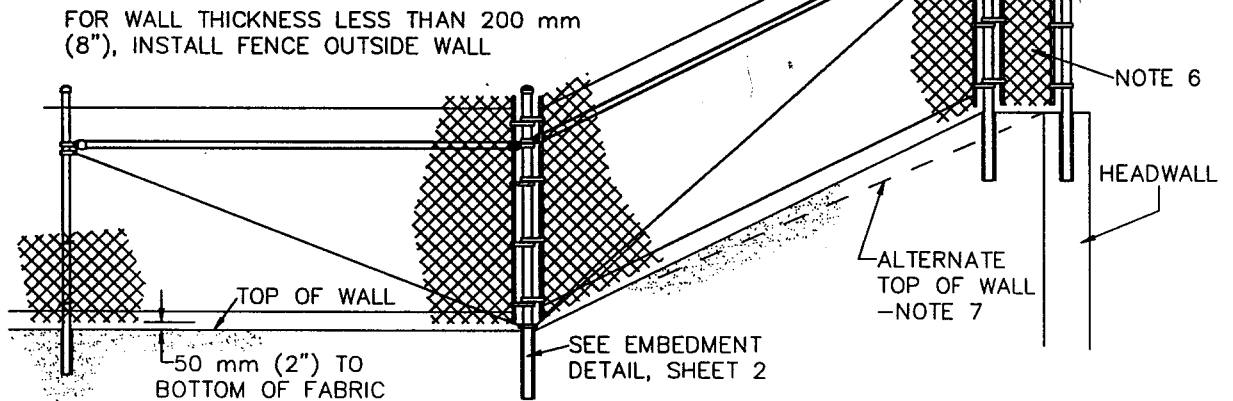
955 Morro Street, San Luis Obispo, CA 93401

**TERRACE HILL WATER TANK
TANK FENCING PROJECT**

SHEET
3 OF 3



INTERMEDIATE / SLOPE POST



CHANNEL WALL AND WINGWALL AT HEADWALL

AMERICAN PUBLIC WORKS ASSOCIATION - SOUTHERN CALIFORNIA CHAPTER

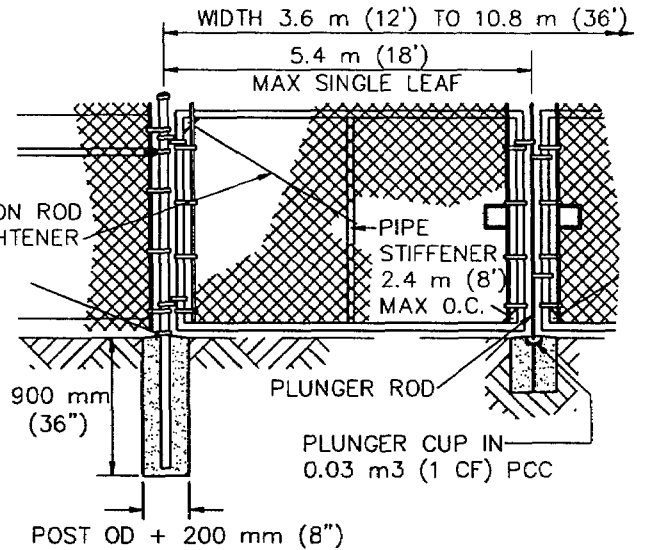
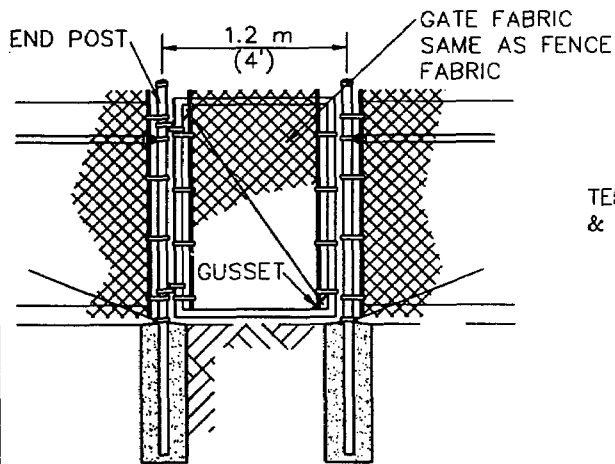
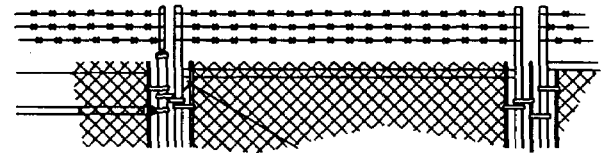
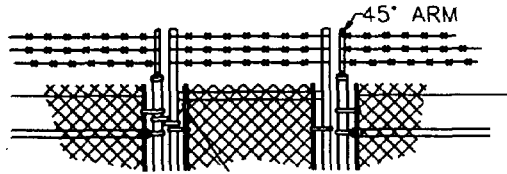
PROMULGATED BY THE
 PUBLIC WORKS STANDARDS INC.,
 GREENBOOK COMMITTEE
 1984
 REV. 1996

CHAIN LINK FENCE AND GATES

USE WITH STANDARD SPECIFICATIONS FOR PUBLIC WORKS CONSTRUCTION

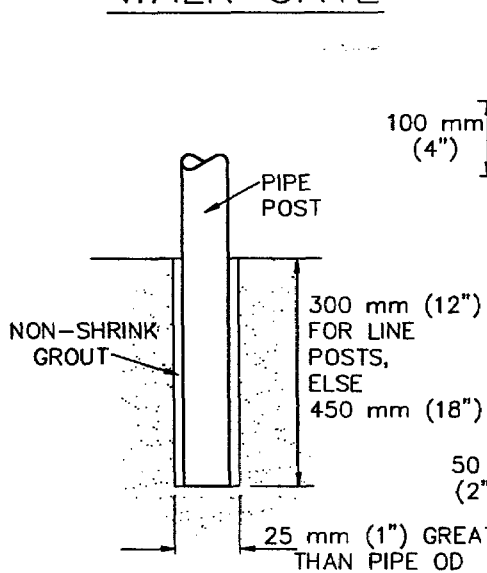
STANDARD PLAN
 METRIC
600 - 1
 SHEET 1 OF 3

BARBED WIRE - NOTE 4

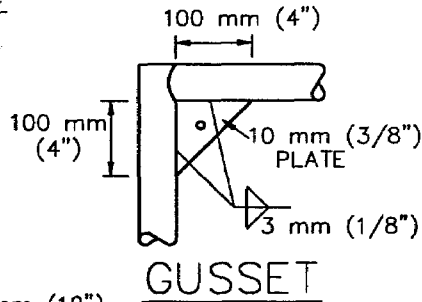


WALK GATE

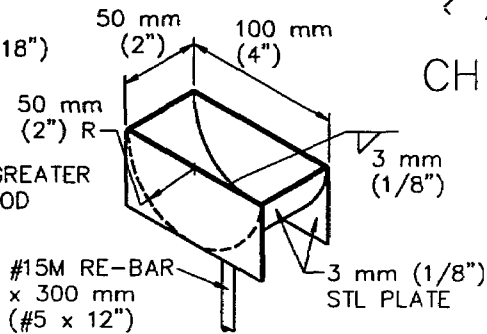
DRIVE GATE



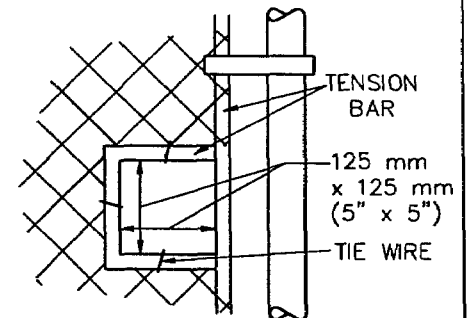
POST EMBEDMENT



GUSSET



PLUNGER CUP ISOMETRIC



CHAIN AND LOCK CUT-OUT

NOTES:

1. SECURE DRIVE-FIT GALVANIZED CAP TO POST WITH 6 mm (1/4") ROUND-HEAD RIVET.
2. H DENOTES FABRIC WIDTH AND NOMINAL FENCE HEIGHT. H = 1.5 m (5') UNLESS OTHERWISE NOTED.
3. IF FENCE WITH TOP RAIL IS SPECIFIED, DELETE STEEL TENSION WIRE AT TOP, AND PIPE RAILS AT INTERMEDIATE, SLOPE, END AND CORNER POSTS. EXTEND TENSION ROD TO TOP RAIL.
4. BARBED WIRE SHALL BE USED ONLY WHEN SPECIFIED.
5. POST SPACING IS MAXIMUM 3.0 m (10').
6. FILL CLEAR OPENINGS GREATER THAN 75 mm (3") WITH FABRIC. FOR OPENINGS LESS THAN 450 mm (18"), TIE FABRIC TO POSTS.
7. USE ONE POST FOR COMBINED SLOPE AND CORNER POST IF TOP OF CHANNEL WALL IS CONSTRUCTED AS SHOWN FOR "ALTERNATE".
8. STEEL BANDS AT TENSION BARS SHALL BE 3 mm X 25 mm (1/8" x 1"), MINIMUM, SPACED AT MAXIMUM 400 mm (16").
9. DIMENSIONS SHOWN ON THIS PLAN FOR METRIC AND ENGLISH UNITS ARE NOT EXACTLY EQUAL VALUES. IF METRIC UNITS ARE USED, ALL VALUES USED FOR CONSTRUCTION SHALL BE METRIC VALUES. IF ENGLISH UNITS ARE USED, ALL VALUES USED FOR CONSTRUCTION SHALL BE ENGLISH VALUES. HOWEVER, ASTM 615 REINFORCING STEEL MAY BE SUBSTITUTED FOR ASTM 615M STEEL.