



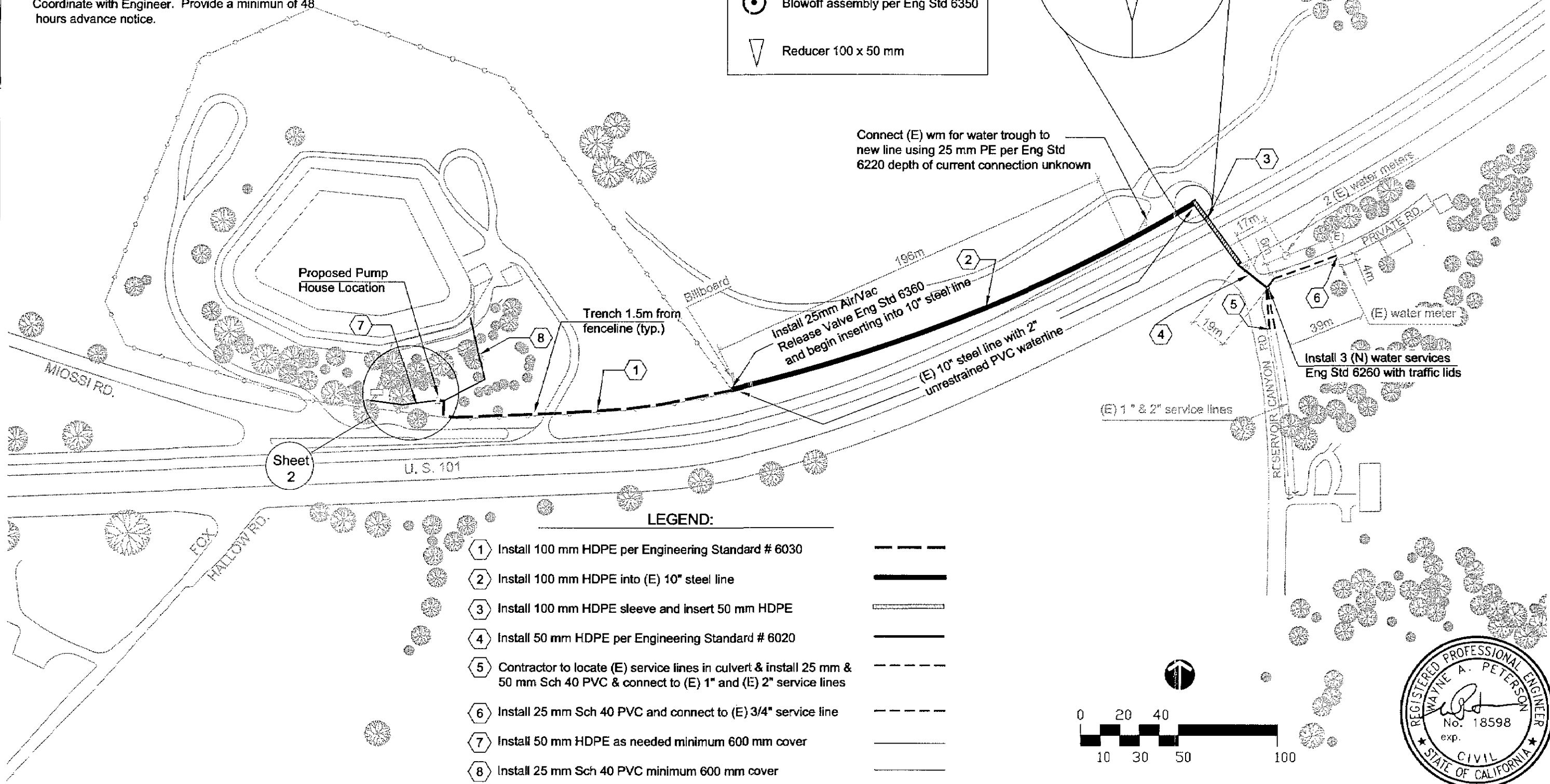
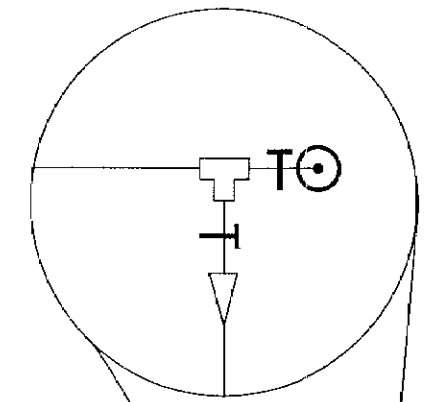


**Construction Notes**

1. Contractor to telephone Underground Service Alert (USA) at 1 - (800) 642-2444 a minimum of 48 hours prior to start of construction.
2. Contractor responsible for installing all necessary fittings and thrust blocks.
3. Utilities Department will relocate water meters. Coordinate with Engineer. Provide a minimum of 48 hours advance notice.

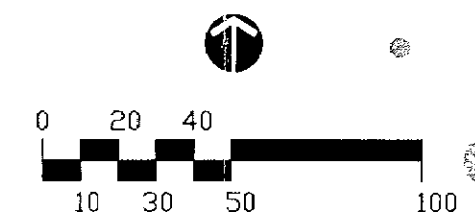
**Legend**

-  Tee 100 x 100 x 100 mm
-  Valve per Eng Std 6340
-  Blowoff assembly per Eng Std 6350
-  Reducer 100 x 50 mm



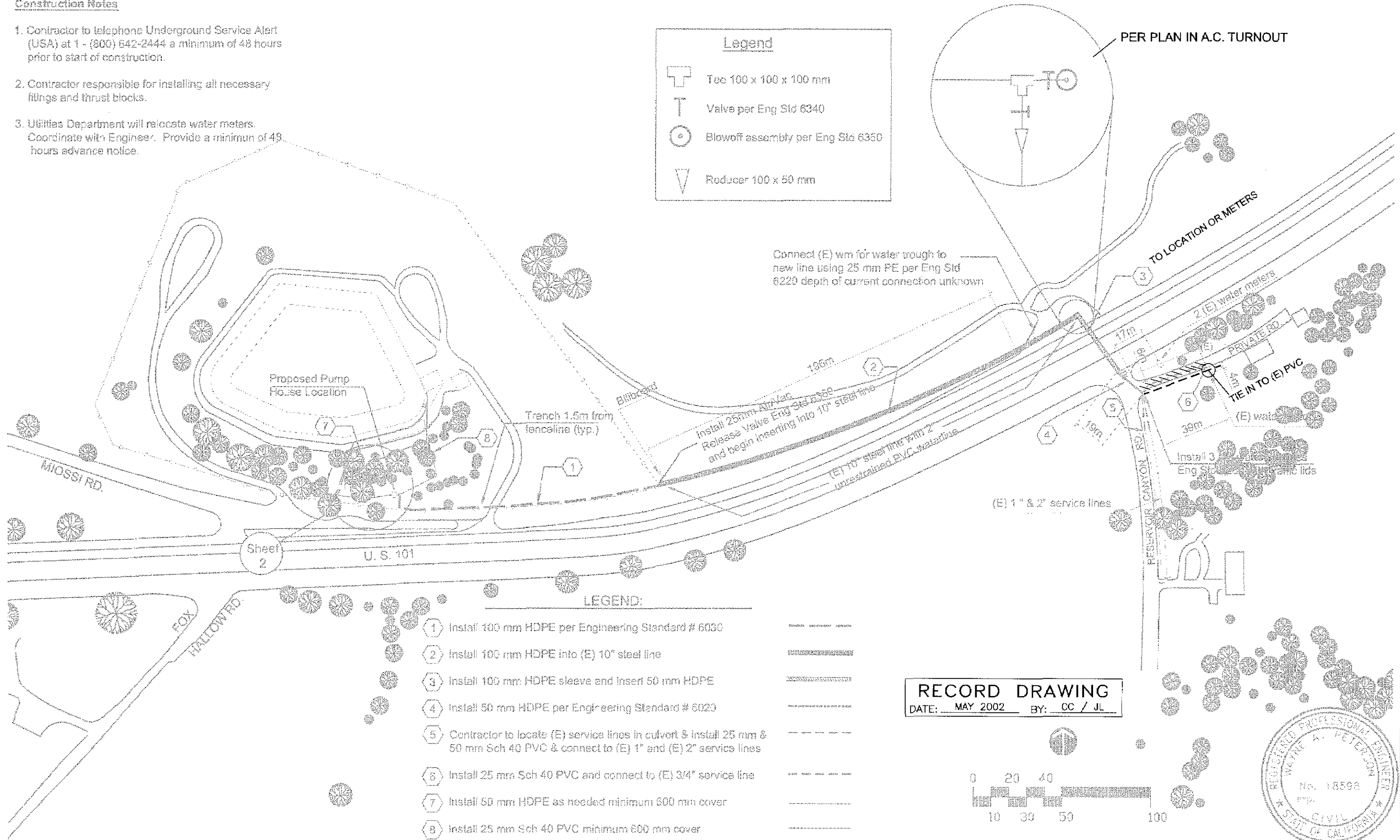
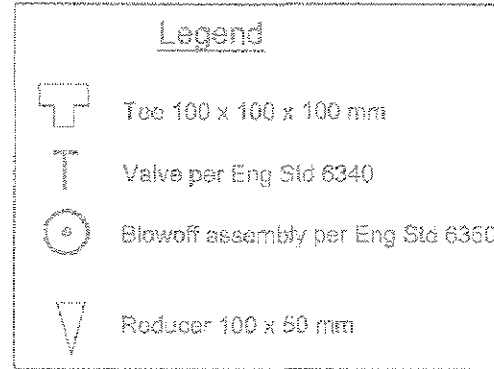
**LEGEND:**

- 1 Install 100 mm HDPE per Engineering Standard # 6030
- 2 Install 100 mm HDPE into (E) 10" steel line
- 3 Install 100 mm HDPE sleeve and insert 50 mm HDPE
- 4 Install 50 mm HDPE per Engineering Standard # 6020
- 5 Contractor to locate (E) service lines in culvert & install 25 mm & 50 mm Sch 40 PVC & connect to (E) 1" and (E) 2" service lines
- 6 Install 25 mm Sch 40 PVC and connect to (E) 3/4" service line
- 7 Install 50 mm HDPE as needed minimum 600 mm cover
- 8 Install 25 mm Sch 40 PVC minimum 600 mm cover

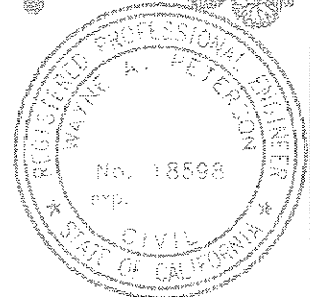


**Construction Notes**

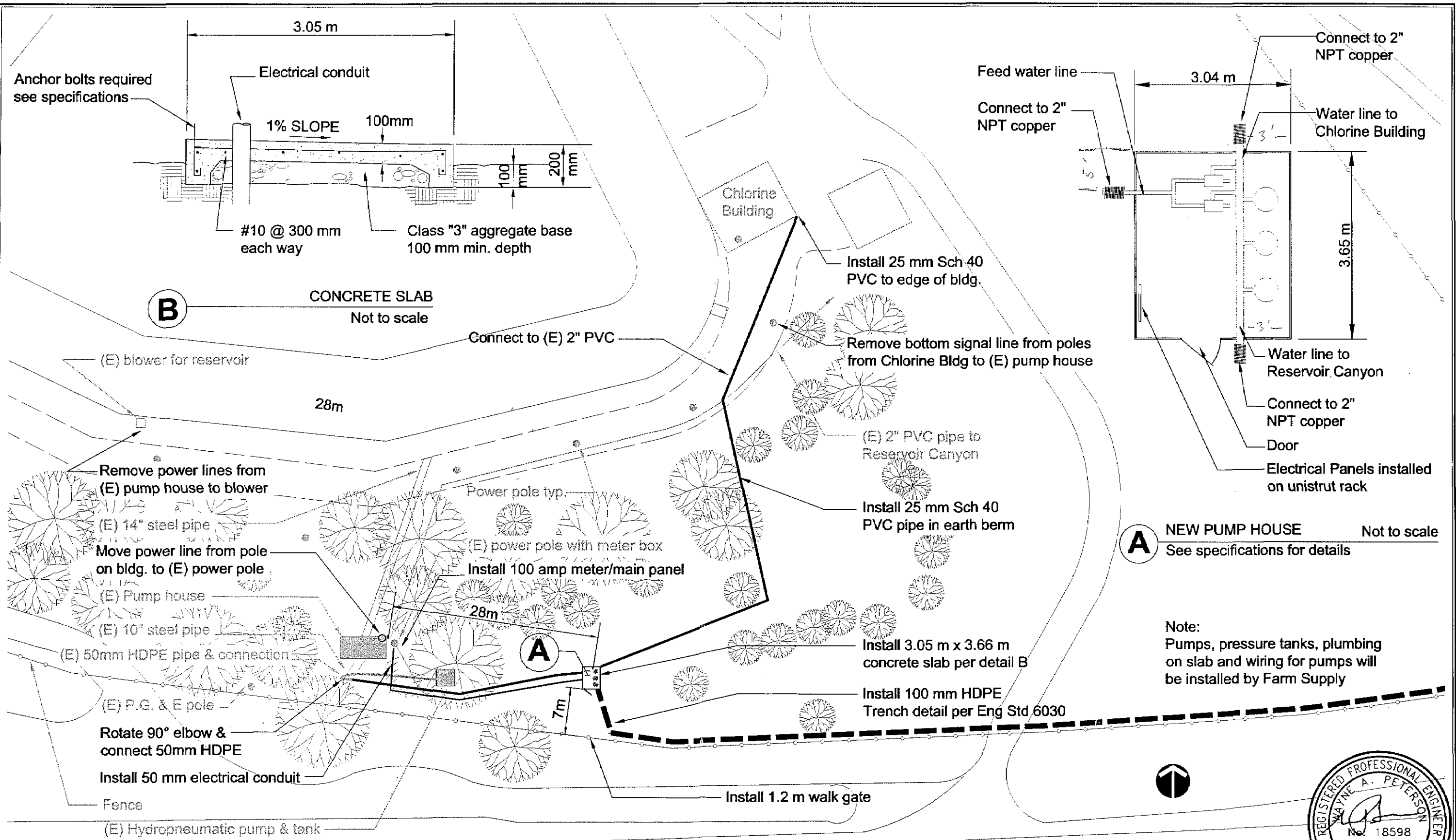
1. Contractor to telephone Underground Service Alert (USA) at 1 - (800) 642-2444 a minimum of 48 hours prior to start of construction.
2. Contractor responsible for installing all necessary fillings and thrust blocks.
3. Utilities Department will relocate water meters. Coordinate with Engineer. Provide a minimum of 48 hours advance notice.



**RECORD DRAWING**  
 DATE: MAY 2002 BY: CC / JL



DESIGNED BY	CC	DATE	11/16/01
CHECKED BY	CC	DATE	05/02/02
DRAWN BY	CC	DATE	05/02/02
APPROVED BY	CC	DATE	05/02/02



Anchor bolts required see specifications

**B**

CONCRETE SLAB  
Not to scale

(E) blower for reservoir

28m

Remove power lines from (E) pump house to blower

(E) 14" steel pipe

Move power line from pole on bldg. to (E) power pole

(E) Pump house

(E) 10" steel pipe

(E) 50mm HDPE pipe & connection

(E) P.G. & E pole

Rotate 90° elbow & connect 50mm HDPE

Install 50 mm electrical conduit

Fence

(E) Hydropneumatic pump & tank

Note: (E) 50 mm HDPE connection to pump is above ground. New connection will need rotation of 90° brass elbow to bury line under (E) 10" pipe. Depth of HDPE will vary to make connection.

Chlorine Building

Install 25 mm Sch 40 PVC to edge of bldg.

Remove bottom signal line from poles from Chlorine Bldg to (E) pump house

(E) 2" PVC pipe to Reservoir Canyon

Install 25 mm Sch 40 PVC pipe in earth berm

Connect to (E) 2" PVC

Power pole typ.

(E) power pole with meter box

Install 100 amp meter/main panel

28m

**A**

7m

Install 1.2 m walk gate

Install 3.05 m x 3.66 m concrete slab per detail B

Install 100 mm HDPE Trench detail per Eng Std 6030

Feed water line

Connect to 2" NPT copper

3.04 m

Connect to 2" NPT copper

Water line to Chlorine Building

3.65 m

Water line to Reservoir Canyon

Connect to 2" NPT copper

Door

Electrical Panels installed on unistrut rack

**A**

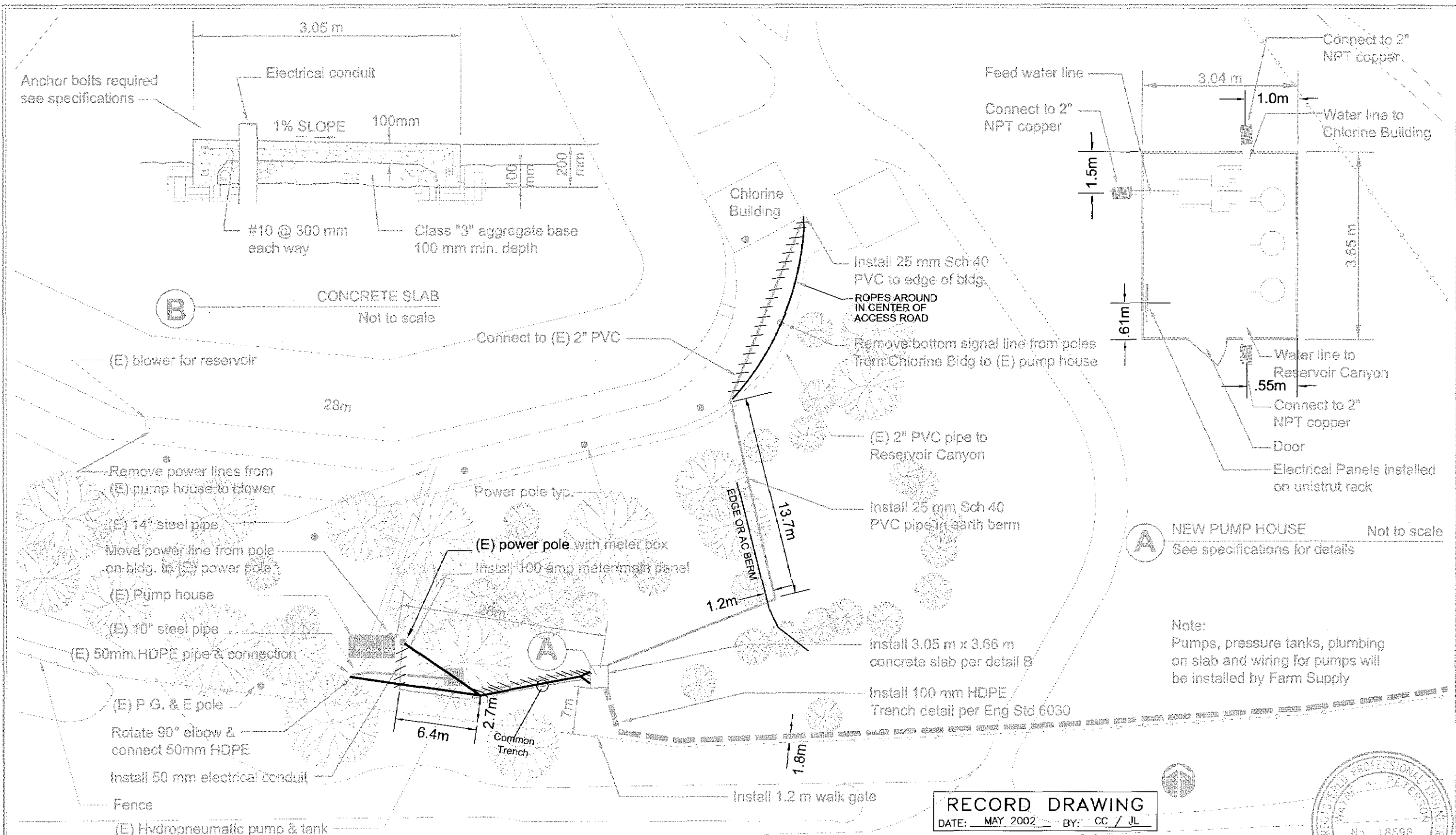
NEW PUMP HOUSE  
Not to scale  
See specifications for details

Note:  
Pumps, pressure tanks, plumbing on slab and wiring for pumps will be installed by Farm Supply

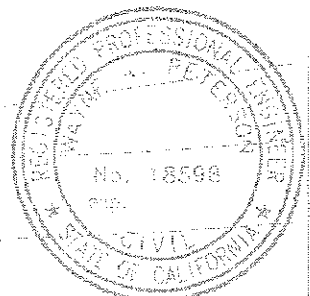


U. S. 101





**RECORD DRAWING**  
 DATE: MAY 2002 BY: CC / JL



Note: (E) 50 mm HDPE connection to pump is above ground. - New connection will need rotation of 90° brass elbow to bury line under (E) 10" pipe. Depth of HDPE will vary to make connection.

U. S. 101



DESIGNED BY	PL	DATE	11/5/97
DRAWN BY	SR	DATE	1/26/01
CHECKED BY	SR	DATE	1/26/01
APPROVED BY	CELESTY BOURGEOIS		