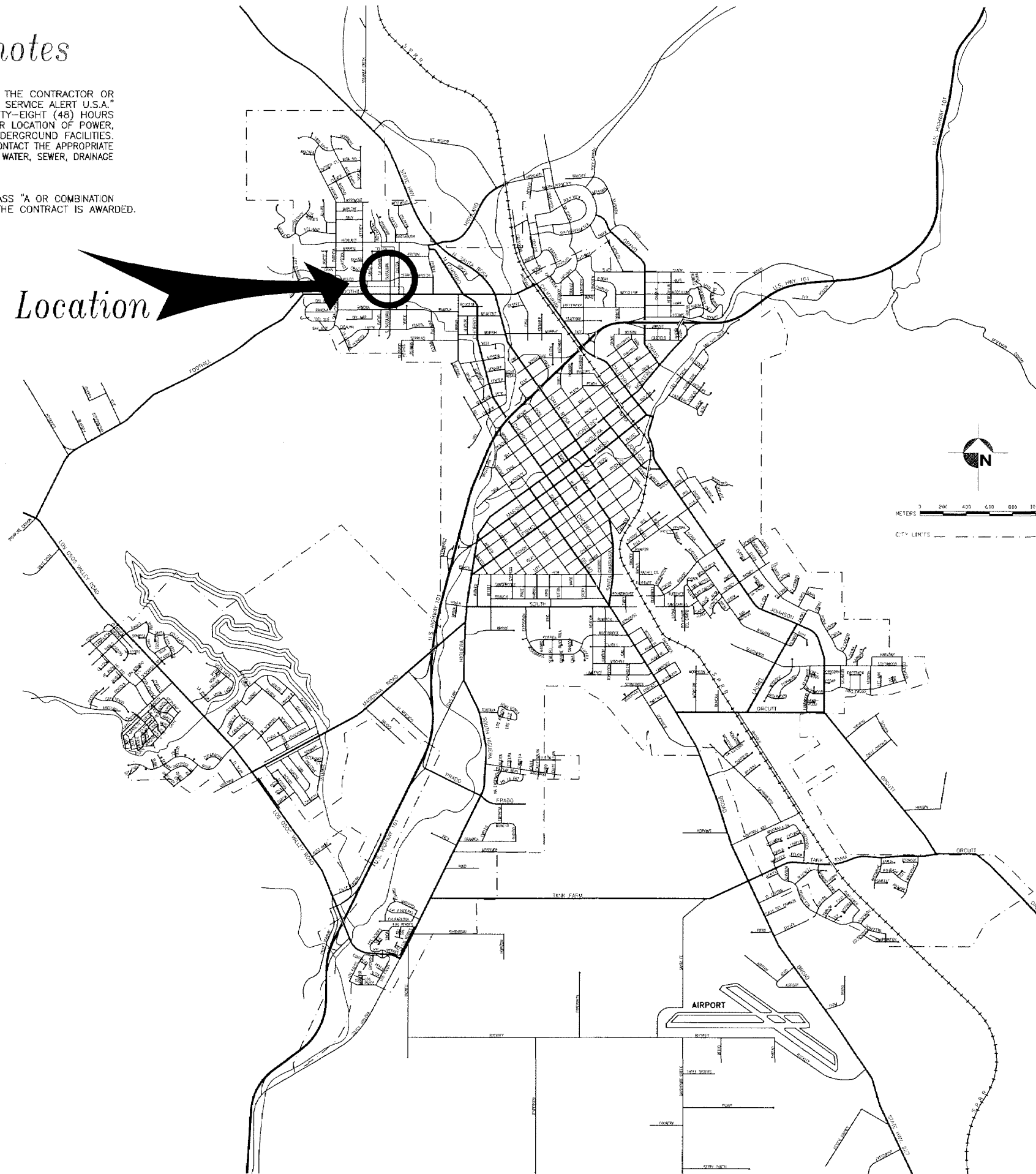


general notes

1. IT SHALL BE THE RESPONSIBILITY OF THE CONTRACTOR OR PERMITEE TO CONTACT "UNDERGROUND SERVICE ALERT U.S.A." TOLL FREE AT 1-800-227-2600 FORTY-EIGHT (48) HOURS PRIOR TO START OF CONSTRUCTION, FOR LOCATION OF POWER, TELEPHONE, OIL AND NATURAL GAS UNDERGROUND FACILITIES. CONTRACTOR OR PERMITEE SHALL ALSO CONTACT THE APPROPRIATE AGENCY FOR THE LOCATION OF CABLE T.V., WATER, SEWER, DRAINAGE OR UNDERGROUND FACILITIES.
2. THE CONTRACTOR SHALL POSSESS A CLASS "A OR COMBINATION OF C34 & C8 LICENSE AT THE TIME THE CONTRACT IS AWARDED.

Project's Location



index to plans

<i>sheet no.</i>	<i>description</i>
1.	Location Map & General Notes
2.	Tassajara Street Plan, Profile & Sections
3.	Cerro Romauldo Plan, Profile & A.C. Overlay



Storm Drain
Improvement Project
Tassajara & Cerro Romauldo

RECORD DRAWINGS



SPECIFICATION NO. 98-18 A

APPROVED BY

Wayne A. Peterson
Wayne A. Peterson
City Engineer

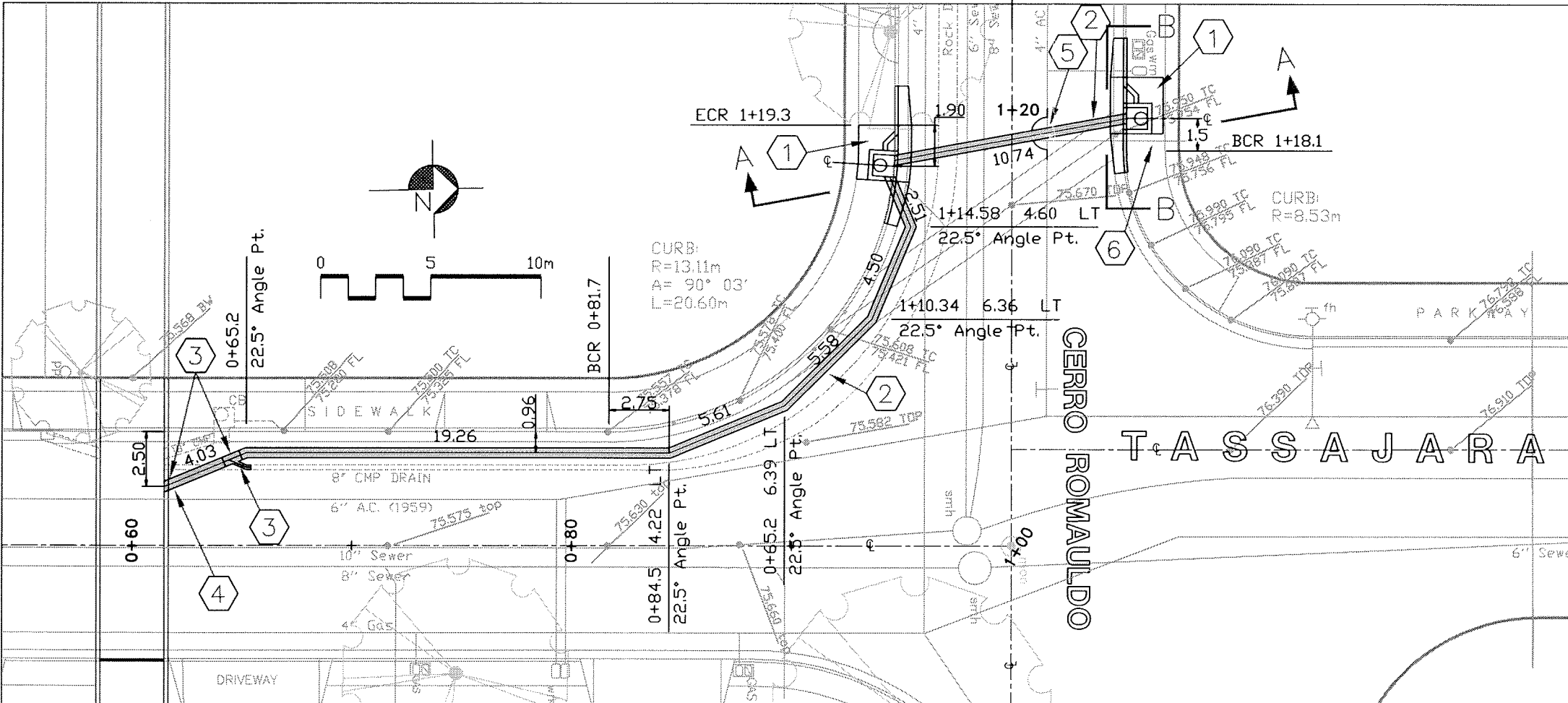
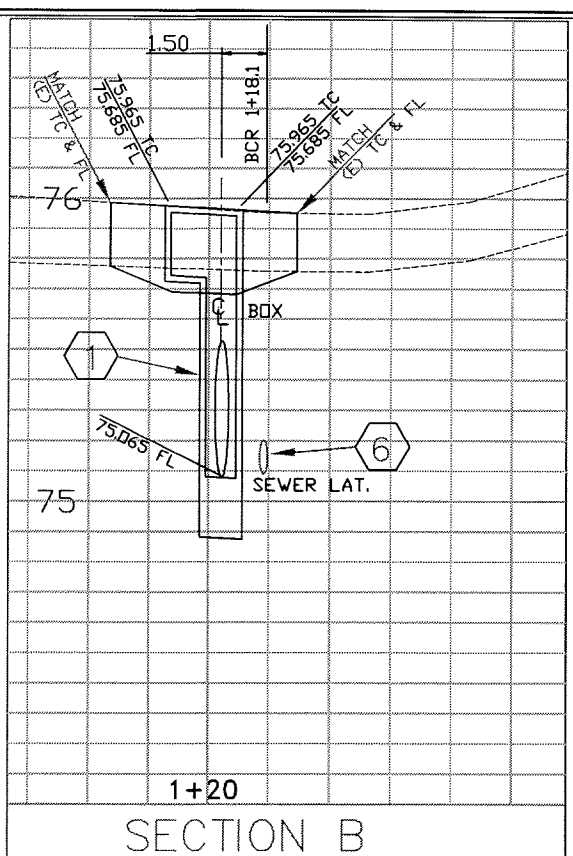
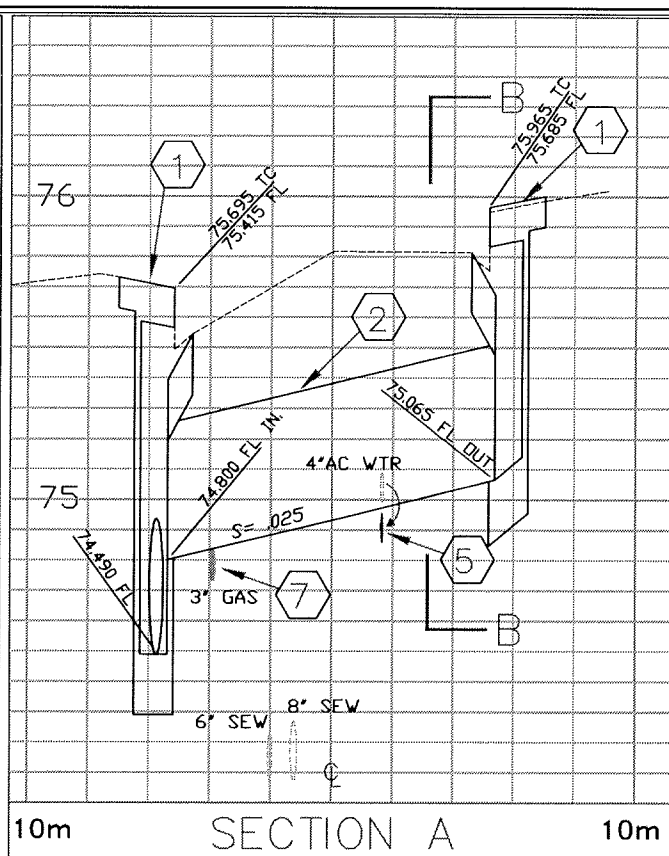
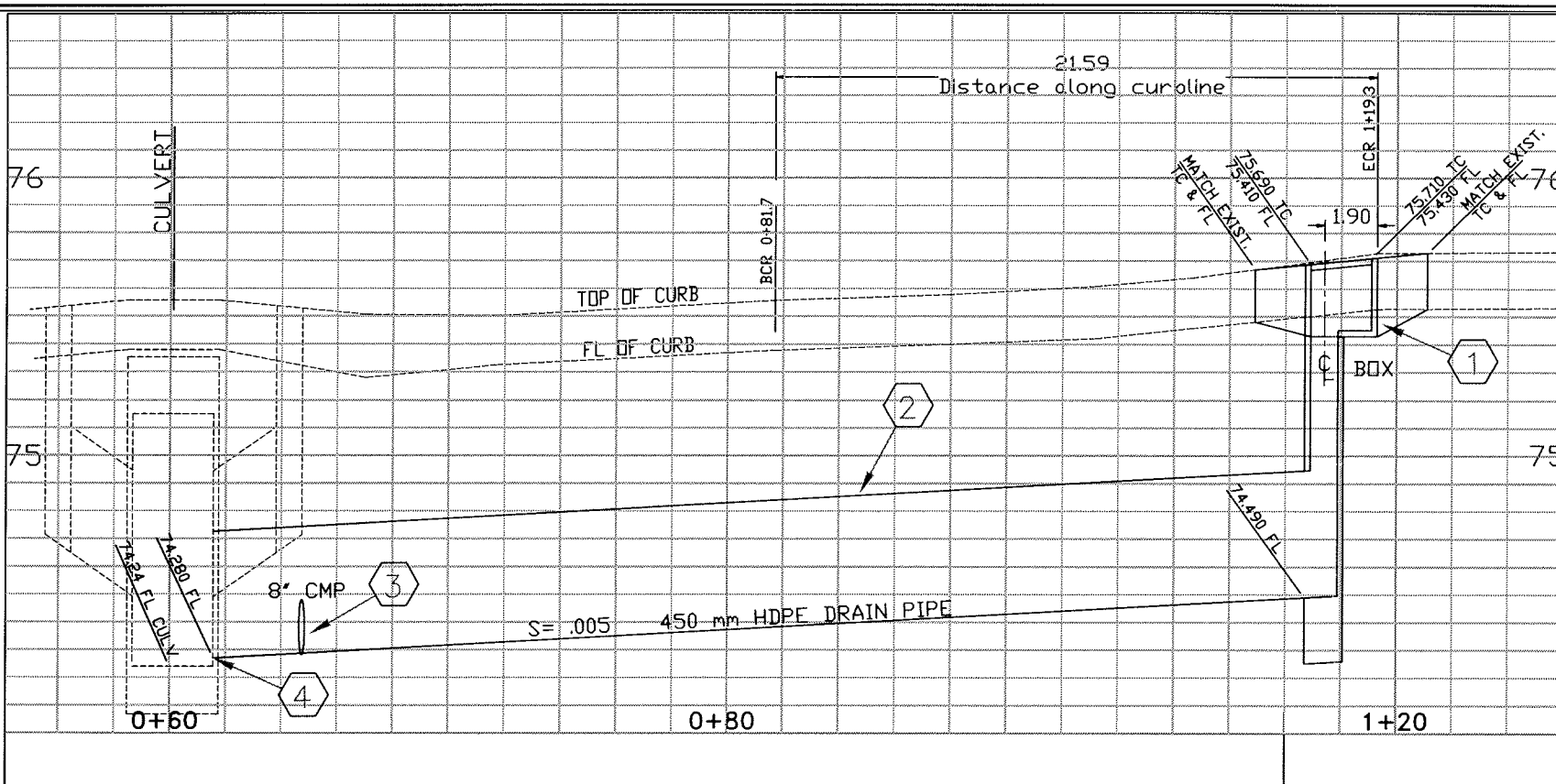
R.C.E. 18598

DATE
10/8/97

FILE NO./LOCATION

SHEET
1 of 3

NATURE / STATUS OF PLANS	BY	DATE

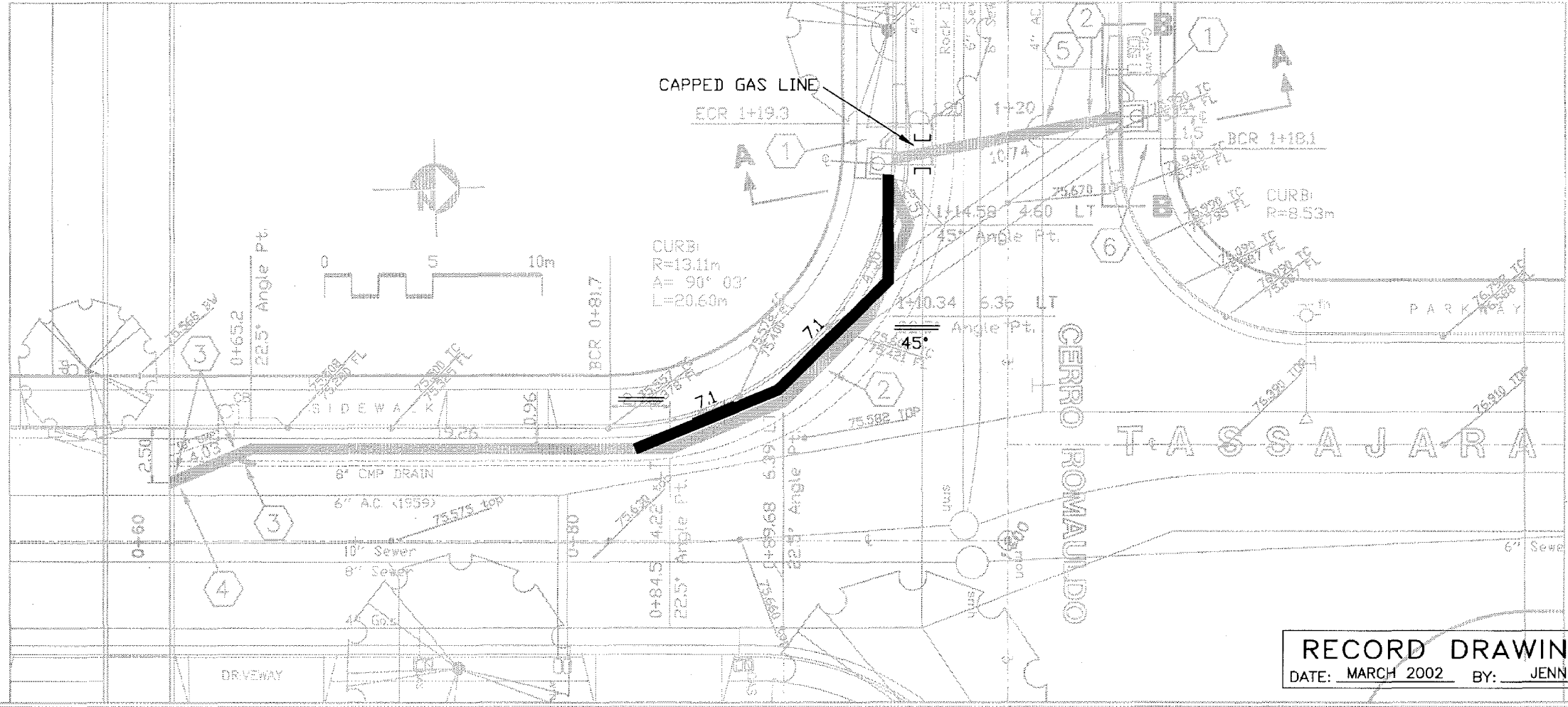
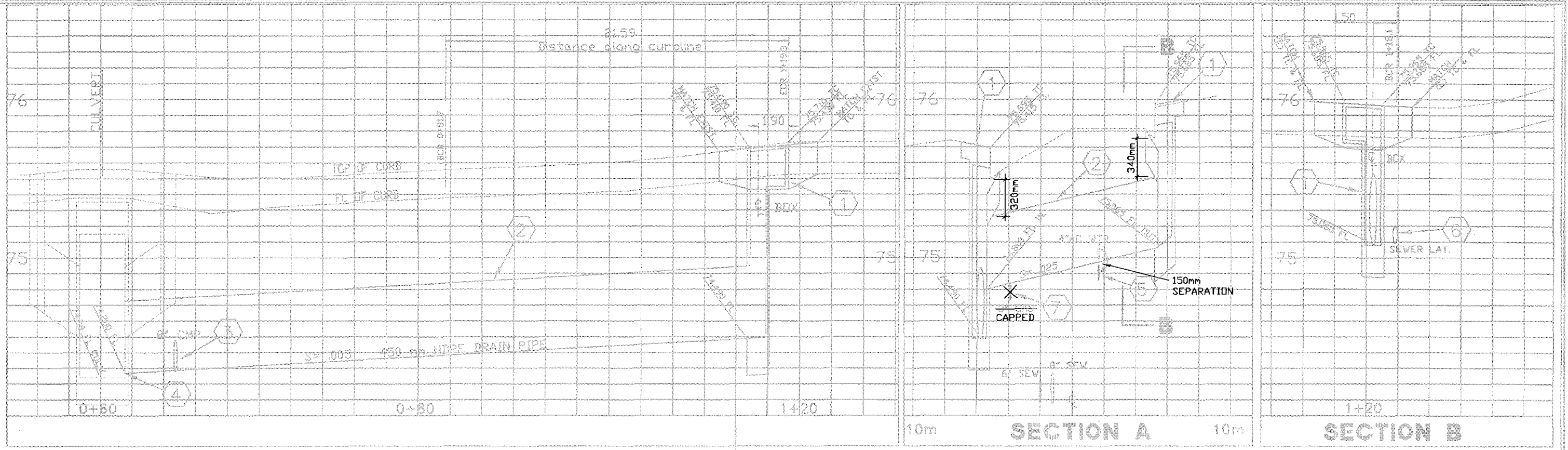


Construction Notes

1. Construct Catch basin City Standard 3360 (W=2.2m / Depth = 280 mm) 2 places.
2. Install 450 mm HDPE Drain pipe.
3. Tie-in 8" CMP Drain line to new 450mm drain pipe. Abandon Section of existing 8" CMP from point of tie to culvert. Location and depth of existing 8" CMP is unknown. Contractor to verify depth in field.
4. Tie-in new 450mm drain pipe to existing culvert.
5. Reroute existing waterline as needed to accommodate drain pipe.
6. Verify depth & location of existing sewer lateral. Adjust C.B. at the direction of the Engineer as needed to avoid conflict with sewer lateral.
7. Verify depth of existing Gas line. Adjust storm drain at the direction of the Engineer to avoid conflict.

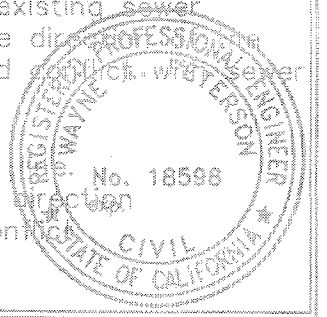


REVISION / DATE	BY	DATE



Construction Notes

- ① Construct Catch basin City Standard 3360 (W=2.2m / Depth = 280 mm) 2 places.
- ② Install 450 mm HDPE Drain pipe.
- ③ Tie-in 8" CMP Drain line to new 450mm drain pipe. Abandon Section of existing 8" CMP from point of tie to culvert. Location and depth of existing 8" CMP is unknown. Contractor to verify depth in field.
- ④ Tie-in new 450mm drain pipe to existing culvert.
- ⑤ Reroute existing waterline as needed to accommodate drain pipe.
- ⑥ Verify depth & location of existing sewer lateral. Adjust C.B. at the direction of the Engineer as needed to avoid conflict with sewer lateral.
- ⑦ Verify depth of existing Gas lateral. Adjust storm drain at the direction of the Engineer to avoid conflict with gas lateral.



RECORD DRAWING
 DATE: MARCH 2002 BY: JENN.

DESIGNED BY	B.F.	DATE	10/02/97
DRAWN BY	C.C.	SCALE	1:250 H 1:25 V
CHECKED BY			
APPROVED BY	URBAN DEPARTMENT		



STORM DRAIN IMPROVEMENT Tassajara & Cerro Romauldo

PLAN, PROFILE & SECTIONS

PROPOSITION NO.	98-18A
FILE NO./LOCATION	
DATE	
SHEET	2R of 3

