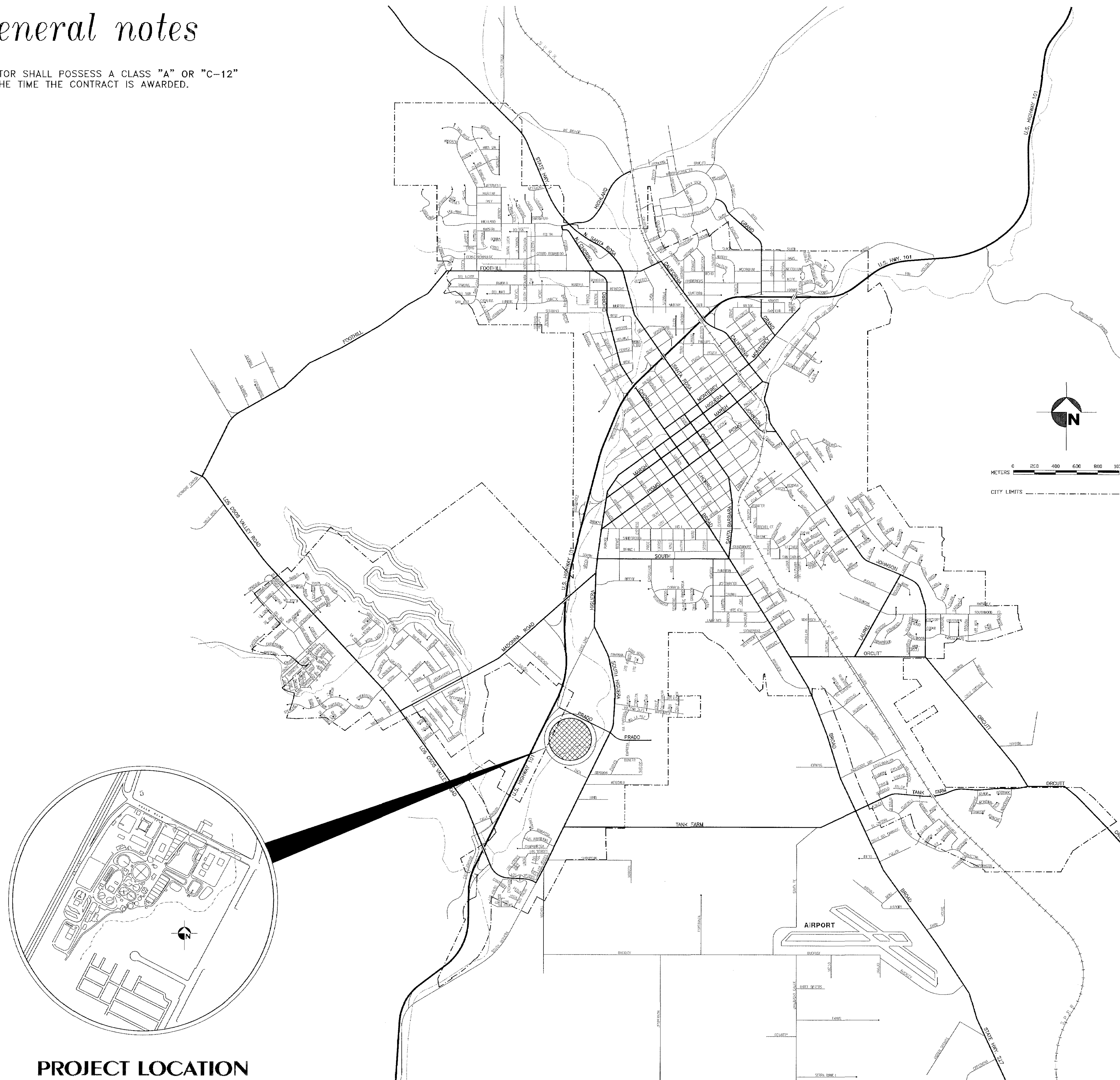


# general notes

1. THE CONTRACTOR SHALL POSSESS A CLASS "A" OR "C-12" LICENSE AT THE TIME THE CONTRACT IS AWARDED.

# index to plans

sheet no.	description
1	COVER SHEET
2	PLAN & DETAILS



**PROJECT LOCATION**



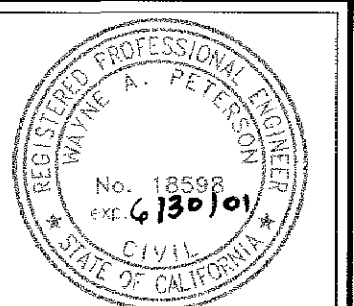
## WASTEWATER RECLAMATION FACILITY PAVEMENT REPAIR PROJECT

RECORD DRAWING  
DATE: DECEMBER 1999 BY: *ym*

SPECIFICATION NO. 97-55

APPROVED BY

*Wayne A. Peterson*  
Wayne A. Peterson R.C.E. 18598  
City Engineer

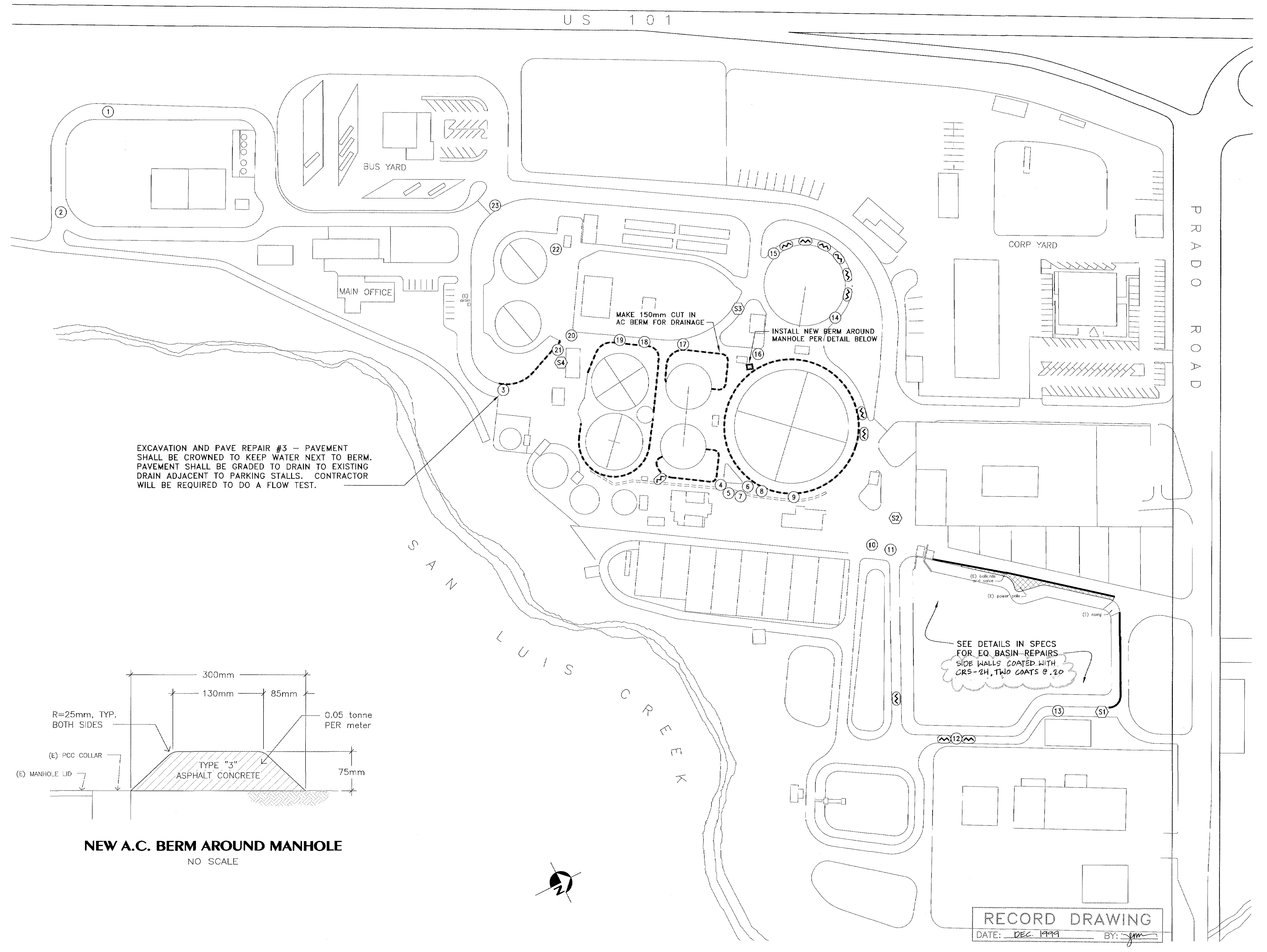


DATE  
MAY 1998  
FILE NO./LOCATION  
0010 B  
SHEET  
1 OF 2

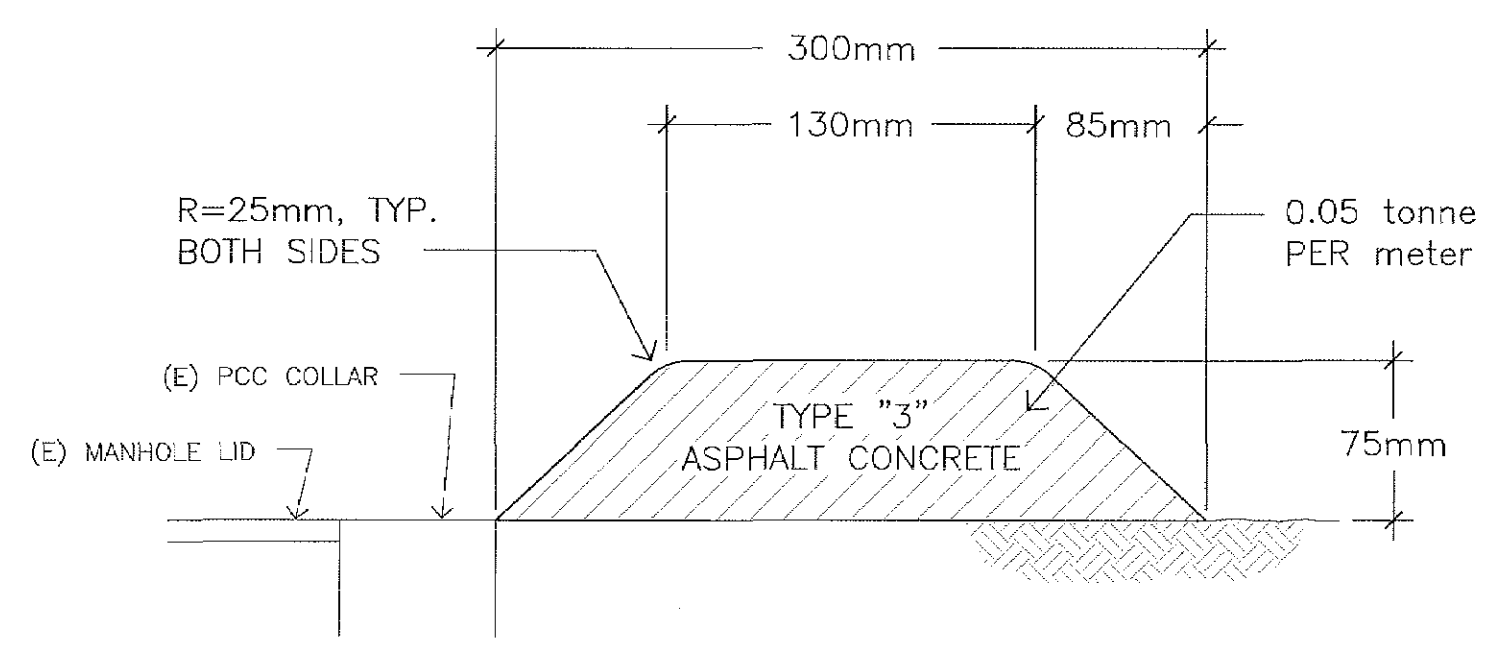
NATURE / STATUS OF PLANS	DATE	BY

**LEGEND**

- # " #" CORRESPONDS TO NUMBERED AREAS DELINEATED IN FIELD FOR EXCAVATE AND PAVE. (AC SHALL BE EXCAVATED AND PAVED TO A MIN. DEPTH OF 75 mm.)
- S DELINEATED AREA TO BE SKIN COATED
- (E) CRACKS TO BE SEALED
- INSTALL NEW AC BERM PER CITY ENGINEERING STANDARD #7120
- (E) AC CURB TO BE SEALED
- ▨ (E) DIRT AREA TO BE PAVED (AC SHALL BE PLACED TO A MINIMUM DEPTH OF 125mm)



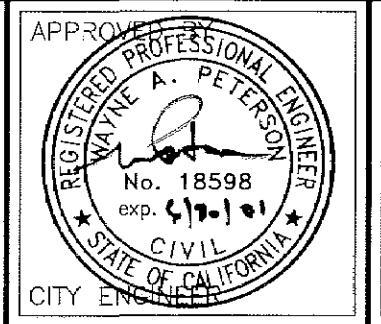
EXCAVATION AND PAVE REPAIR #3 - PAVEMENT SHALL BE CROWNED TO KEEP WATER NEXT TO BERM. PAVEMENT SHALL BE GRADED TO DRAIN TO EXISTING DRAIN ADJACENT TO PARKING STALLS. CONTRACTOR WILL BE REQUIRED TO DO A FLOW TEST.



**NEW A.C. BERM AROUND MANHOLE**  
NO SCALE

SEE DETAILS IN SPECS FOR EQ. BASIN REPAIRS. SIDE WALLS COATED WITH CRS-2H, TWO COATS @ .20

**RECORD DRAWING**  
DATE: DEC 1999 BY: jym



DATE	MAY 1998
SCALE	METRIC 1:1000
DESIGNED BY	RJ
DRAWN BY	JDL
CHECKED BY	BL
APPROVED BY	[Signature]
CITY ENGINEER	UTILITY DEPARTMENT